



### Table of Contents

#### Introduction

Terms and Conditions	2
General Specifications	7
Materials & Finish Palette	9

#### Conference Tables

Table Specifications	14
Conference Tables	24

#### Media Tables

Media Table Specifications	29
Media Tables	34

#### Waterfall Tables

Waterfall Table Specifications	41
Counter Height Waterfall Tables	50
Bar Height Waterfall Tables	51

#### Credenzas

Credenza Specifications	54
Bookcase	63
3 Position Credenza	64
4 Position Credenza	66
5 Position Credenza	68
Credenza Inserts	70

#### Accessories

Power & Connectivity	74
----------------------	----

# Terms and Conditions of Sale

---

Sales by DatesWeiser (hereinafter called the Seller) are made only on the terms and conditions set forth below. These terms and conditions may be modified or supplemented only by a written document signed by an authorized representative of the Seller. These terms and conditions supersede any prior and/or contemporaneous agreements or correspondence between Purchaser and Seller.

## Application of Standard Terms

Only the standard terms of sale stated in this catalog apply to any transaction unless those terms are modified or supplemented by a written document signed by an officer of DatesWeiser. Any terms contained in Customer's purchase order, including standard printed provisions, that are additional to or contrary to these terms, are not effective.

## Use of Furniture and Materials

DatesWeiser assumes that textiles, leathers and products are intended for commercial use and are not being bought for use primarily for personal, family, or household purposes. When installed and used as intended, products remain chattel property, are not considered fixtures, and no interest in them should arise under applicable real estate law.

## Pricing Policies

All written quotations expire thirty (30) days from the date of issuance and can be withdrawn by written notice anytime during that period.

Shipping, packaging, inside delivery, uncrating, installation, storage, and sales tax (if applicable) shall be in addition to the list price and shall be itemized and charged separately.

List prices are subject to change without notice.

List prices shall be those prices in effect on the date the Seller receives a completed Purchase Order unless shipment is requested more than 120 days after the order entry, in which case prices in effect on the date of shipment apply.

## Ordering Information

All orders must be in writing.

A Purchase Order is binding upon Seller's Order Acknowledgement. All dealers may submit their orders via email at [customerservice@datesweiser.com](mailto:customerservice@datesweiser.com). For assistance with this process, please contact DatesWeiser Customer Service at 716.891.1700 or [customerservice@datesweiser.com](mailto:customerservice@datesweiser.com)

## Taxes

All sales, use, excise, and other taxes applicable to the sale of DatesWeiser Products shall be paid by the Purchaser. To claim an exemption from any tax, Purchaser must submit to Seller the appropriate exemption certificates.

## Terms of Payment

A fifty percent (50%) deposit is due at the time of order placement and the remainder due within thirty (30) days of the date of invoice.

If, in the judgment of Seller, Purchaser's financial condition does not justify the terms of the payment, Seller may require full or partial payment in advance.

The ship date the Seller specifies is considered the invoice date for billing. The ship date will be confirmed by the Seller via a separate Acknowledgement issued upon receipt of a signed Purchase Order.

Past due accounts shall be charged one and one-half percent (1.5%) per month, or the highest rate permitted by law, whichever is less, and will be added to the outstanding balance. In the event Purchaser defaults on payment, Purchaser shall be liable for all collection costs, including reasonable attorney's fees and costs.

## Delays

Datesweiser is not liable for failure to ship by the acknowledged shipping date or any other date. Datesweiser is not liable for a delay or failure in shipment or performance if the delay or failure is caused by acts of omission of Customer, its agents, employees, contractors, a governmental authority, or God; delays in transportation; or other similar causes that are not within Datesweiser's reasonable control. Datesweiser is excused from further performance of its obligations for the duration of a force majeure cause.

## Changes and Cancellations

A confirmed order may not be changed or cancelled, in whole or in part, without prior written consent of Seller. Changes may effect delivery dates. Expenses incurred because of changes shall be charged to Purchaser. In event of cancellations, Purchaser will be liable for reasonable cancellation charges, including a \$500 administrative fee.

Seller is not required to comply with Purchaser's request to change a confirmed order, but all reasonable requests to change confirmed orders will be honored. Orders for special or custom Product may not be cancelled.

---

To be effective, a Change Order must be in writing, signed by the Purchaser or Purchaser's agent, and confirmed in writing by the Seller. Change Orders are subject to a charge for materials, labor, and other costs as determined by Seller.

### **Security Interest**

Until Seller receives the full payment for the Product, Seller shall have a security interest in the Product. Purchaser agrees to perform all acts, including but not limited to the execution and filing of documentation, which may be necessary to perfect and assure the security interest of Seller.

### **Freight and Delivery**

For product orders shipped within the 48 contiguous United States, surface freight charges are included. Orders are shipped via ground carrier unless requested otherwise.

For orders shipped to Alaska or Hawaii, the freight terms stated above apply only to the port of embarkation. Shipments beyond that point are freight collect. Domestic deliveries are shipped FOB DatesWeiser's plant to a destination designated by Customer by a method DatesWeiser selects.

Products are carefully inspected and packaged before leaving the factory to ensure they reach their destination in excellent condition. Whenever possible, the Seller will ship in accordance with the Purchaser's instructions. If Purchaser does not specify shipping instructions, Seller will use its best judgment to determine the most suitable shipping method, route, and carrier.

### **Storage**

If the Purchaser cannot accept delivery per the ship date specified in the Seller's Acknowledgement, the Seller may transfer the merchandise to storage, either at its facility or at another facility.

Purchaser will be charged a storage fee of two percent (2%) of the invoice for every thirty (30) days the products are stored at the Seller's facility.

For products stored in another facility, all out-of-pocket costs of storage, including transportation and warehousing fees, will be at the Purchaser's expense.

The Purchaser will be invoiced for all product charges on the date the Products are transferred to storage. Storage fees will accrue monthly in full month increments (they are not pro-rated for partial months) and will be added to the first invoice, which will also include non-product charges such as shipping, installation, etc.

### **Returns**

Purchasers may not return Products without Seller's written approval and shipping instructions. Unauthorized returns, and returns shipped inconsistently with Seller's instructions, will be automatically refused by the Seller's receiving department.

Products not currently offered for sale by Seller, including special and custom Products, shall not be authorized for return. All returned Products must be unused, in original condition and in original Seller shipping cartons. No refund or credit shall be given for damaged Products.

### **Claims**

All shipments for Sellers Product are F.O.B. Origin. All risk of loss passes to Purchaser at time of delivery to carrier. Purchaser shall inspect all Products upon receipt and note any damage on the Bill of Lading and make an immediate request for inspection of damage by carrier. Seller is not responsible for damage that occurs in transit or storage.

Damage that becomes apparent after the Product is unpacked should be reported to the carrier and the Seller within twenty-four (24) hours of receipt. Damage that is incurred at a furniture dealer's warehouse is the responsibility of the furniture dealer.

For claims relating to Product damaged in transit, or for any other claims relating to or arising out of the transportation of the Product, Purchaser must seek recovery from the carrier. Seller may, upon request, assist Purchaser with filing of such claims with the carrier.

Claims for defects, errors, or shortages must be made in writing by Purchaser against Seller within 72 hours after delivery. Failure to make such claim within 72 hours shall constitute unconditional acceptance of the Products and a waiver of any apparent defects, errors, or shortages.

### **Customer's Own Material (COM)**

A Purchaser who requests a material not standard to Seller's line of Products must submit a sample of the requested material to Seller prior to entry of a purchase order. Seller shall determine if the material is suitable to its manufacturing processes and meets any requirements of Underwriter Laboratories. If the COM is acceptable, Seller will then establish a price for using the COM on the Product in question.

### Custom Finish Match

For custom wood or paint finishes add \$1,000 net per finish. This is a one-time matching charge. Custom finishes may extend delivery time up to four (4) weeks. Control samples of custom finishes will be provided.

### Hardware

Final adjustment of furniture hardware such as hinges, drawer slides, drawer pulls, etc., at the installation and as a punch-list item, if required, is the Purchaser's responsibility.

### Design

All Products shown in the Seller's Price List and Specifications Guide are, and remain, the property of the Seller, who reserves the exclusive right to manufacture them. All dimensions shown are to be considered approximate. Seller reserves the right to make changes in price, dimensions, design and/or construction without prior notice.

### Shop Drawings

Seller allows for one (1) set of full shop drawings and one (1) round of minor drawing revisions in its pricing and scheduling. Thereafter, any significant changes in design, including dimensions, engineering details, and materials, or delays in reviewing and approving shop drawings, may necessitate additional charges and cause schedule delays. Seller reserves the right to determine the impact of any design changes and/or delays and will promptly notify those involved of any adjustments to cost and schedule.

### Field and Hold Dimensions

If a dealer or third party is responsible for providing installation, the following is required: Full responsibility for providing accurate and timely field dimensions or hold to dimensions (in cases where walls are not erected) as it effects the ultimate fit of the installation. As an alternative, upon request, Seller can provide a cost for sending a field technician to the project site to assume responsibility for field dimensions and site evaluation.

### Warranty

DatesWeiser International, Inc. ("DatesWeiser"), 6095 Fulton Industrial Blvd., SW, Atlanta, GA 30336-2806, USA, warrants the products sold by it to be free from defects in material and workmanship, regardless of the number of shifts during which the products are used, for the warranty periods specified below.

This warranty covers the sale of DatesWeiser product in all countries. Not all of the product lines appearing on this list are

marketed by DatesWeiser in all countries, and appearance on this list does not imply an offer for sale of a product line in a particular place. Product line availability is defined in current price lists applicable to different regions.

DatesWeiser Commercial Office Furniture Products 12 years

All products sold under the DatesWeiser® brand name, except as limited or described below.

Textiles and Leathers

3 years

Includes, but is not limited to Edelman Leather, DatesWeiser, Herman Miller, Maharam, and Place fabrics.

Nonstandard Products

1 to 5 years

Warranty length on nonstandard products not covered by the 12-year warranty is identified on individual product quotes.

All Other Products, Parts, and Services

2 years

Height adjustable bases (electrical parts)

5 years

Height adjustable bases (mechanical parts) LED light strips and driver

3 years

All service parts

6 months

All other products, parts, and any services not listed above, sold or furnished by DatesWeiser, except for consumable products such as light bulbs and other electronic products for which no warranty is given

Other Manufacturers' Products

None

DatesWeiser will pass through to the original purchaser any warranty supplied by other manufacturers to the extent possible, including, but not limited to, open-line laminates.

Provisions that apply to all products and services:

During the applicable warranty period, DatesWeiser, as its sole obligation, will repair or replace (at its option) any product, part, or component covered by this warranty and sold after the effective date of this warranty, which fails under normal use as a result of a defect in material or workmanship; DatesWeiser will repair or replace the aforementioned product, part, or component with a comparable product, part, or component.

This warranty extends only to the original purchasers who acquire new product from DatesWeiser, or its authorized resellers. Any product, part, or component must have been installed, used, and maintained according to DatesWeiser's published instructions in order to be eligible for coverage under this warranty and must not have been subject to misuse or abuse. Any modification to the original product voids the warranty. DatesWeiser does not warrant the performance of the product when used in combination with other than original DatesWeiser product.

The warranty period starts from the date of purchase.

This document inclusively describes all of the warranties given and remedies available with respect to the company's products and services. DatesWeiser disclaims any other warranty whether express or implied, statutory or otherwise, in relation to the products.

DatesWeiser does not warrant:

- natural variations in wood grain or figure or the presence of character marks
- changes in surface finishes due to aging or exposure to light
- marks, scars, or wrinkles occurring naturally in leather
- veins, marks, voids, fissures, or cracks found naturally in stone

In addition, DatesWeiser does not warrant:

- failure resulting from normal wear and tear
- the matching of colors, grains, or textures of natural materials
- the colorfastness or the matching of colors of textiles, including an exact match to cuttings or to swatch cards
- damage, marking, or staining of veneer surfaces due to contact with rubber or similar compounds; damage from sharp objects or imprinting from writing instruments, or prolonged exposure to direct sunlight

DatesWeiser tests Customer's Own Material

(COM) and other customer-supplied items for manufacturing quality only and does not provide any warranty with regard to these materials.

DatesWeiser does not warrant products that are exposed to extreme environmental conditions or that have been subject to improper storage.

DatesWeiser's products meet the requirements of national and specific local codes as stated in the price books and other written publications.

TO THE EXTENT ALLOWED BY LAW, ANY IMPLIED WARRANTIES, INCLUDING ANY WARRANTY OF MERCHANTABILITY OR FITNESS FOR A PARTICULAR PURPOSE, ARE DISCLAIMED AND TO THE EXTENT THEY ARE LEGALLY REQUIRED, ARE LIMITED IN DURATION TO THE DURATION OF THIS WRITTEN WARRANTY.

DATESWEISER SHALL NOT BE LIABLE FOR LOSS OF TIME, INCONVENIENCE, COMMERCIAL LOSS, OR INCIDENTAL OR CONSEQUENTIAL DAMAGES.

Applies in US only: Some states do not allow limitations on how long an implied warranty lasts or do not allow the exclusion or limitation of incidental or consequential damages, so the limitations or exclusions in the two preceding paragraphs may not apply. This warranty gives the purchaser specific legal rights; however, the purchaser may also have other rights that may vary from state to state.

Applies outside US: Except as stated above, DatesWeiser will not be liable for any loss or damage (including costs) however caused, whether direct or consequential, incurred or suffered by the purchaser or any third party in respect of the products but nothing contained herein will or will be considered to exclude or restrict any liability on DatesWeiser's part for death or personal injury resulting from negligence.

#### **Disclaimers**

THE EXPRESS WARRANTIES CONTAINED IN THIS SELLING POLICY ARE THE ONLY WARRANTIES THAT DATESWEISER MAKES AND TAKE THE PLACE OF ALL OTHER WARRANTIES, EXPRESS OR IMPLIED, INCLUDING ANY WARRANTIES OF MERCHANTABILITY OR FITNESS FOR PARTICULAR PURPOSE AND ALL OTHER WARRANTIES ARISING FROM COURSE OF DEALING OR USAGE OF TRADE.

---

**Design Rights**

The designs depicted in DateWeiser's catalogs and price lists are proprietary to DatesWeiser and DatesWeiser reserves the exclusive right to manufacture them. Any reproduction of these designs infringes DatesWeiser's rights, and that infringement will be prosecuted.

Corporate Office / Factory

1700 Broadway Street

Buffalo, NY 14212

p 716.891.1700

# General Specifications

## Note:

Line drawings in this price list are purely for quick product identification without form of detail and cannot be used to satisfy production dimensions, shape or support options. Refer to Planning Guide for detailed product information.

## Wood Components

Tops are 1-1/4" or 2" thick.

Bases are constructed using 3/4" thick material with mitered corners, in two widths (3-1/2" and 6") and two depths (24-1/2" and 30-1/2"). Bases also have a hinged access door for wire management.

## Levelers

All bases are equipped with floor levelers to level the table.

## Grommets

Please contact customer service at [customerservice@datesweiser.com](mailto:customerservice@datesweiser.com) or your local DatesWeiser representative to request a quote based on your specific needs. To find your local representative, visit

[www.datesweiser.com/contacts](http://www.datesweiser.com/contacts).

## Power & Connectivity

All tables have various Topmount and Undermount power & connectivity options. All options are available with either Hardwire, Plug-In or Linkable infeeds. For more information, see the "Accessories/Power & Connectivity" section at the back of this price list.

Wire management is easily handled vertically through the bases (via the hinged access door) and horizontally through the aprons.

Access door on 3-1/2" wide bases uses 3/4" finger-pull gap above the door to open.

Access door on 6" wide bases uses touch latch to open.

## Wood Finishes and Materials

Selecting materials and other features are the first steps to ordering your DatesWeiser furniture. As you move through the steps on the product pages, you will need to fill in the blanks with the codes for the finishes and features you select.

Wood veneers are selected from the finest hardwoods available around the world and top coated with a low-VOC, post-catalyzed finish. The typical sheen is 30%.

Veneers come in two price ranges (Tiers), and described as follows:

1. Cut (Plain-sliced, rift, quartered, engineered)
2. Species (Oak, Walnut, etc.)
3. Finish (Natural, Smoked, Dark, Cerused, etc.)

Quartered, rift-cut and engineered veneers are slip matched except for Black Limba.

Plain-sliced veneers are book matched.

Examples:

1. T124 (Denotes Tier 1 Plain sliced Maple, Natural)
2. T227 (Denotes Tier 2 Quartered Walnut, Natural)

## Paint Finishes and Materials

SL\_\_ (Satin Lacquer)

Opaque paint with a 50% typical sheen.

HG\_\_ (High Gloss Polyester) Opaque paint with a hand rubbed high gloss finish.

\*Color codes are entered in the blanks.

## Metal Finishes and Materials

MC\_\_ Powder Coat

A coating applied electrostatically as a dry powder, then cured under heat to allow it to flow and form a 9skin9. Used to create a hard finish that is more durable than conventional paint.

PM\_\_ Premium Metal Electroplating produces a premium metal finish.

\*Color codes entered in the blanks.

## Finishing Excellence

DatesWeiser collaborates with leading colorists to develop a palette particularly suited to the executive workplace. This range is available on all our products and coordinates with our extensive veneer offering.

To order finish samples, please contact customer service at [customerservice@datesweiser.com](mailto:customerservice@datesweiser.com) or your local DatesWeiser representative. To find your local DatesWeiser representative, visit [www.datesweiser.com/contacts](http://www.datesweiser.com/contacts).

---

If you do not see what you want, we are happy to work with you to develop a unique product solution.

Datesweiser printed and veneer samples offer an example of what a typical veneer will look like, within a range of acceptability carefully determined by DatesWeiser. Samples and printed sample materials should be used as reference only.

**FSCT® Certification:**

**FSC®-C103565**

Responsibility harvested materials certified  
by the Forest Stewardship Council®



# Materials & Finish Pallette

**Veneer Finishes come in (2) sheens.**

**M = 15% Sheen**

**L = 35% Sheen**

---

## Veneer: Tier 1 - Natural

**Applies to Tops & Bases**



**T001** White Quarter Cut Ash



**T002** Natural Flat Cut Oak



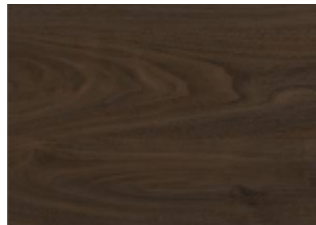
**T003** Natural Rift Cut Oak



**T004** Natural Flat Cut Walnut



**T005** Cashmere Flat Cut Walnut



**T006** Persian Flat Cut Walnut



**T007** Ebonized Flat Cut Ash



**T014** Natural Flat Cut Maple



**T019** Natural Rift Cut European Oak

# Materials & Finish Pallette

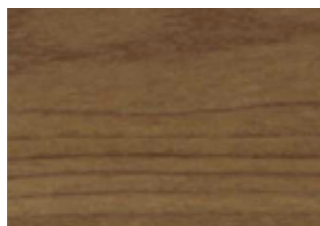
**Veneer Finishes come in (2) sheens.**

**M = 15% Sheen**

**L = 35% Sheen**

## Veneer: Tier 1 - Engineered

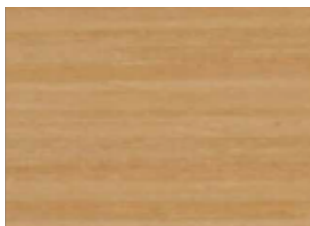
**Applies to Tops & Bases**



**R008** RecoGrain Natural Flat Cut Walnut



**R009** RecoGrain Natural Quarter Cut Walnut



**R010** RecoGrain Natural Quarter Cut Oak



**R011** RecoGrain Frosty Quarter Cut Ash



**R012** RecoGrain Natural Quarter Cut Rima Oak



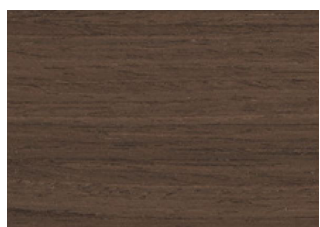
**R013** RecoGrain Natural Quarter Cut Rima Walnut



**GET** RecoGrain Clear on Ash



**GEU** RecoGrain Oak on Ash



**GEV** RecoGrain Walnut on Ash



**G637** Techwood Natural Oak



**G644** Techwood Light Walnut



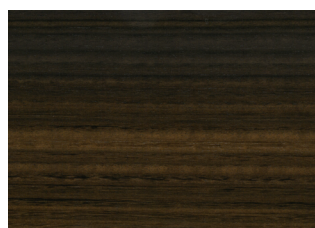
**G645** Techwood Dove grey Oak

## Veneer: Tier 2 - Natural

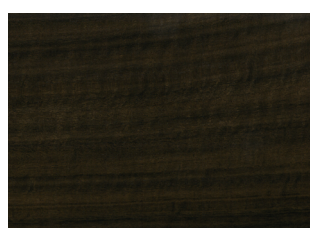
**Applies to Tops & Bases**



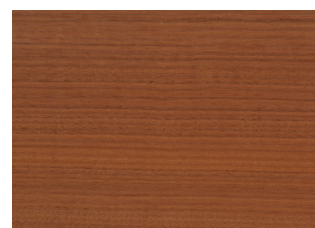
**T015** Natural Quarter Cut Walnut



**T016** Fumed Quarter Cut Eucalyptus



**T017** Fumed Quarter Cut Figured Eucalyptus



**T018** Natural Quarter Cut Makore

# Materials & Finish Pallete

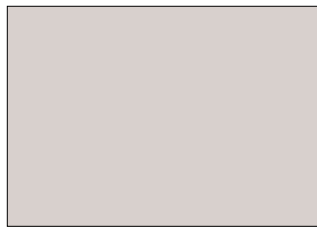
---

## Satin Lacquer

**Applies to Bases Only**



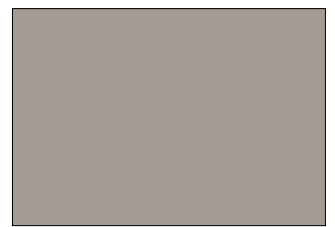
**SL01** White



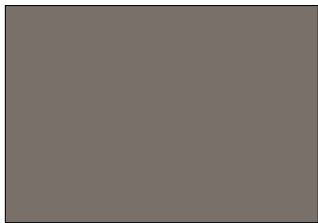
**SL02** Light Beige



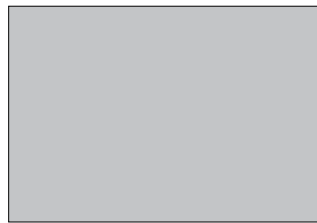
**SL03** Sand



**SL04** Taupe



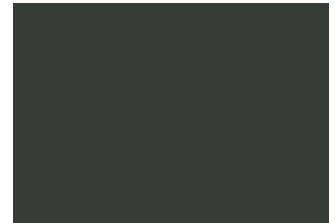
**SL05** Light Brown



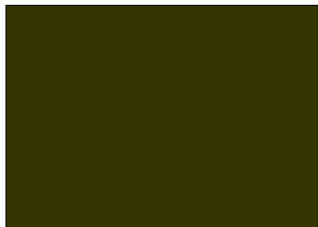
**SL06** Light Grey



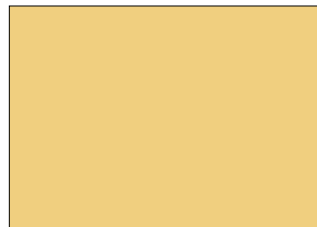
**SL07** Quartz Grey



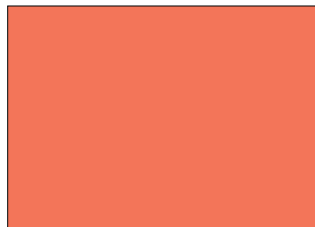
**SL08** Umbra Grey



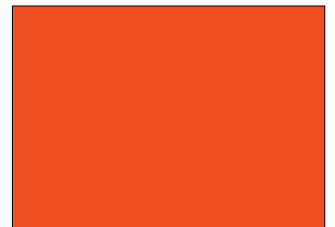
**SL09** Black Brown



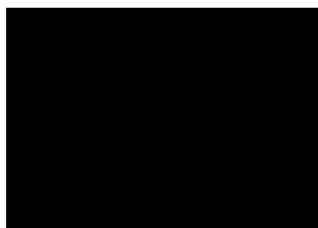
**SL10** Yellow Finch



**SL11** Jack O Lantern



**SL12** Racing Orange



**SL13** Jet Black



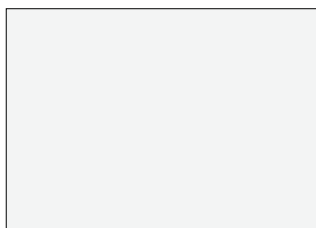
**HG20 / SL20** Red

# Materials & Finish Pallete

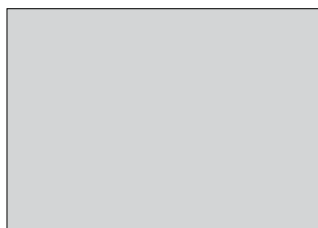
---

## Metal: Powder Coat

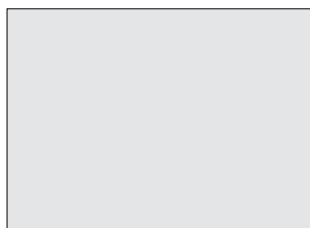
---



**MC01** White



**MC02** Light Grey



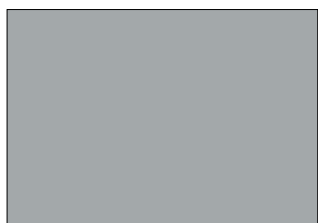
**MC03** Quartz Grey



**MC04** Umbra Grey



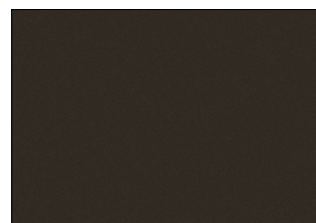
**MC05** Black Brown



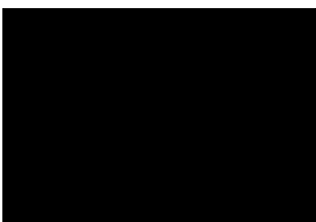
**MC06** Silver



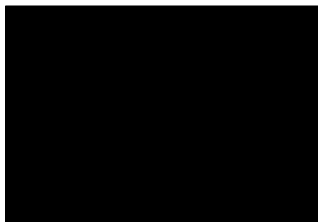
**MC08** Gunn Powder



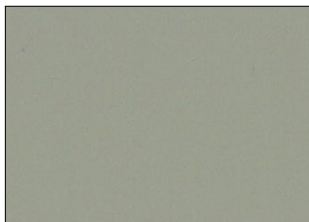
**MC09** Bronze



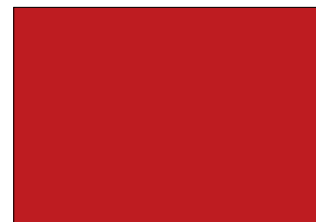
**MC11** Jet Black



**MC12** Black



**MC13** Warm Grey

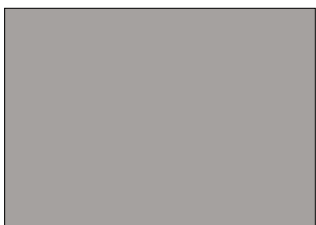


**MC20** Red

---

## Metal: Premium

---



**PM01** Polished Chrome



**PM02** Satin Nickel



**PM03** Oil Rubbed Bronze

# JD Collection Conference Tables

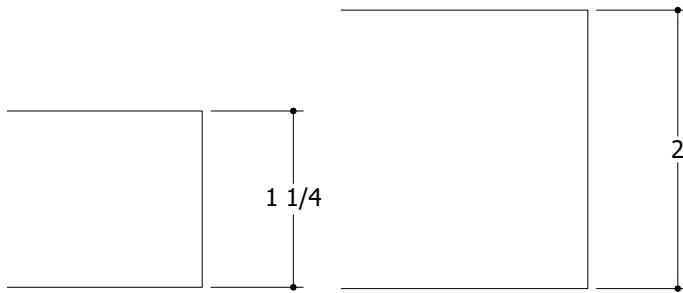


**DATESWEISER**

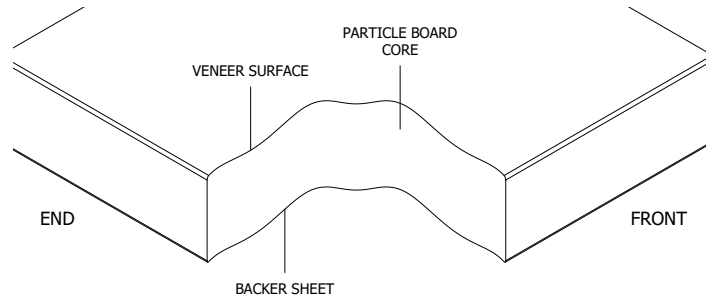
# General Specifications

## Conference Tables

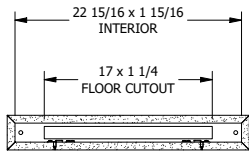
### Edge Profiles



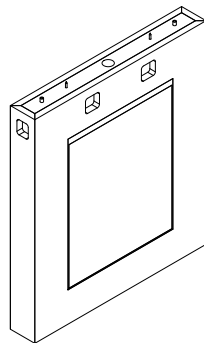
### Top Construction



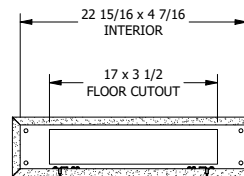
### Bases, 24-1/2" and 30-1/2" Deep with Magnetic Door



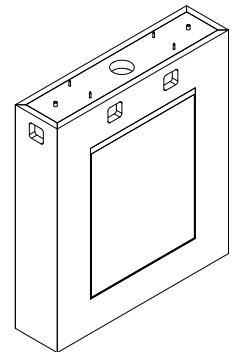
SECTION B-B  
INTERIOR CLEARANCES



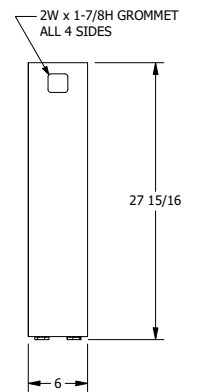
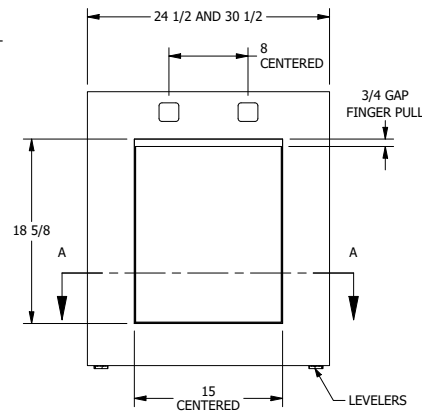
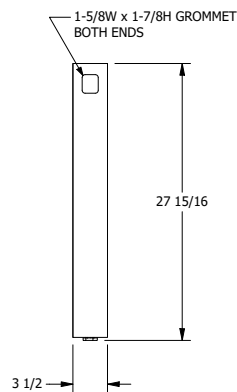
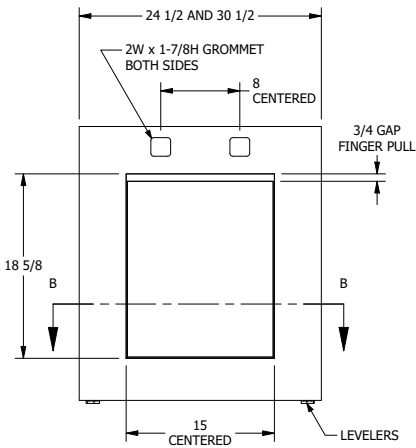
3 1/2"W BASE



SECTION A-A  
INTERIOR CLEARANCES



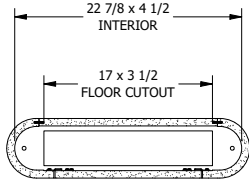
6"W BASE



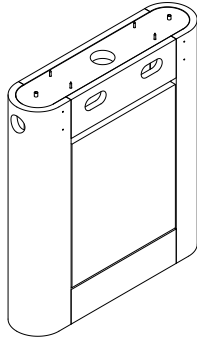
# General Specifications

## Conference Tables

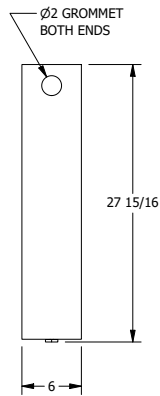
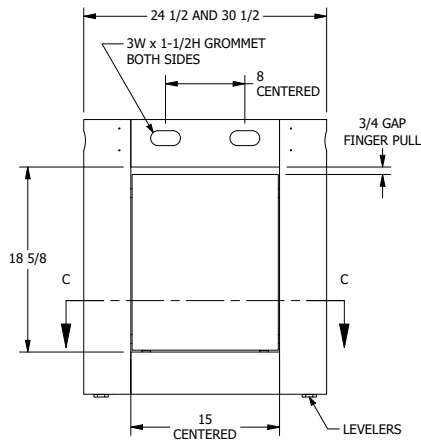
### Base Construction



SECTION C-C  
INTERIOR CLEARANCES



6"W BASE

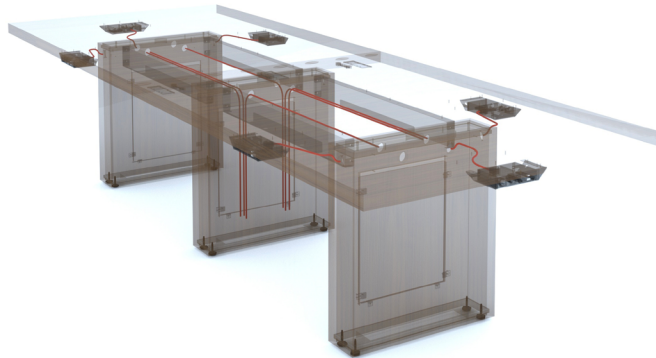
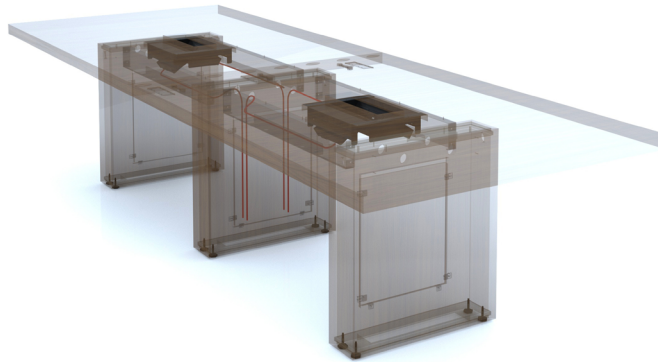


# General Specifications

## Conference Tables

---

### Power / Connectivity

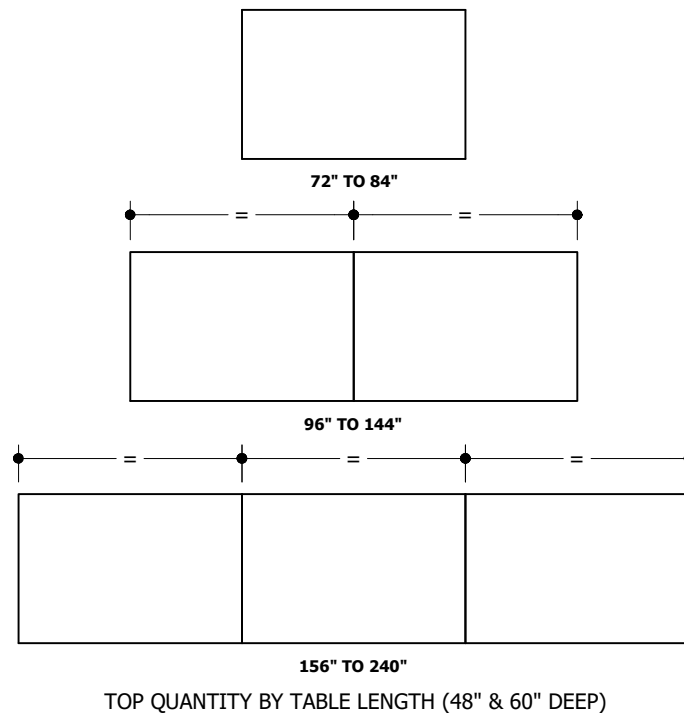
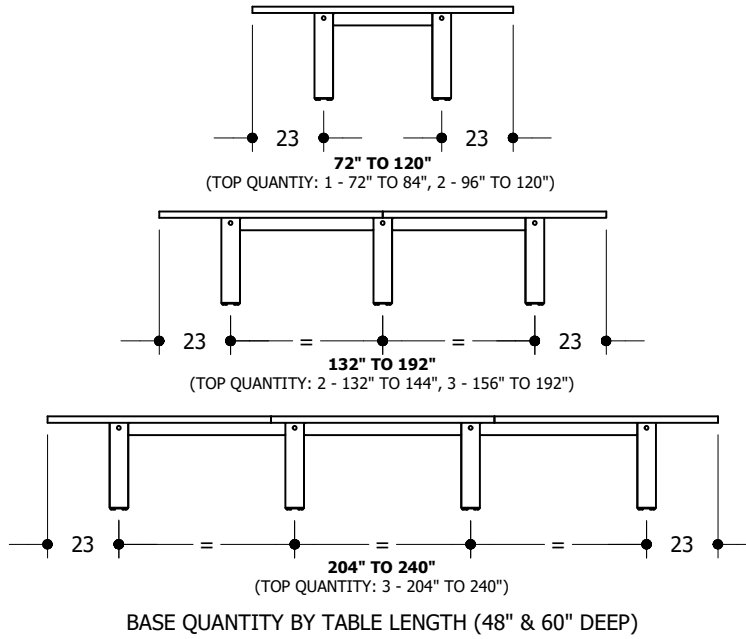




# General Specifications

## Conference Tables

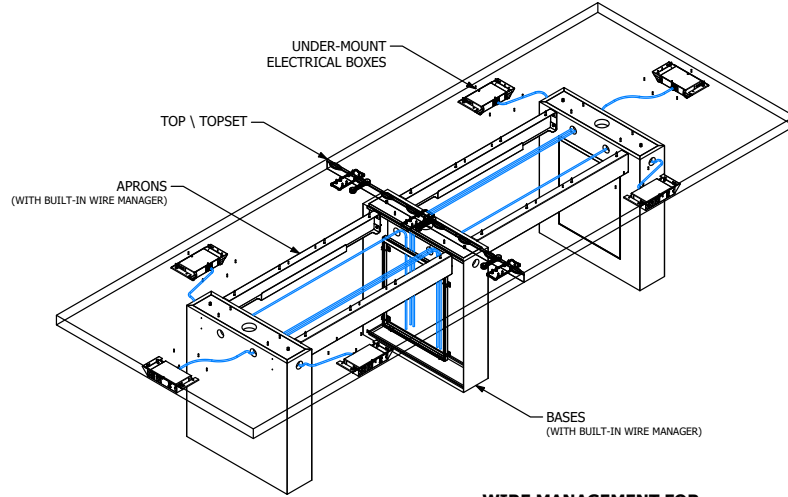
### Table Construction



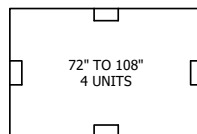
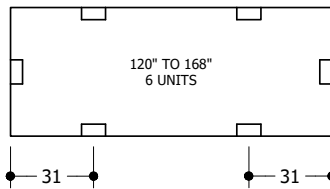
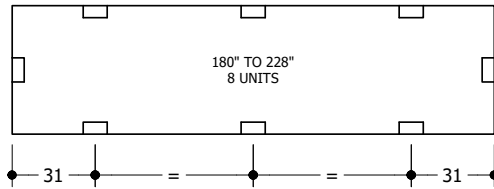
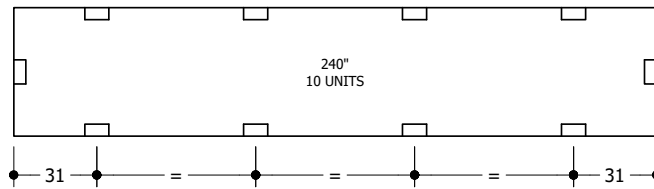
# General Specifications

## Conference Tables

### Table Construction



**WIRE MANAGEMENT FOR TABLES WITH UNDER-MOUNT ELECTRICAL BOXES**

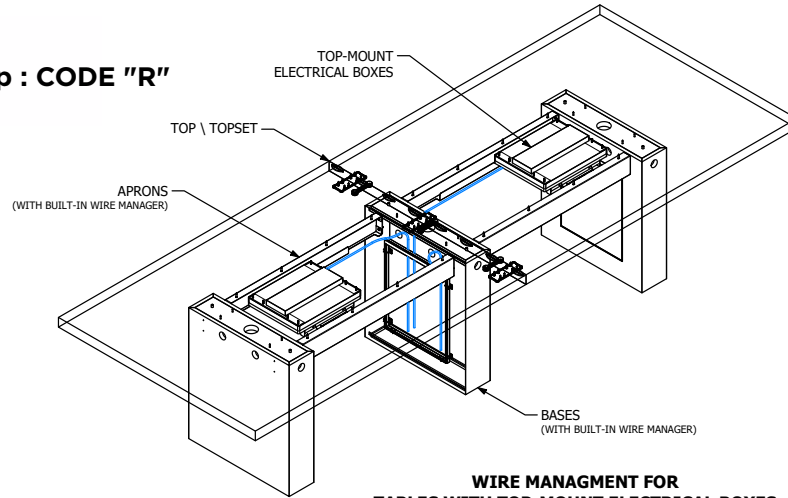


# General Specifications

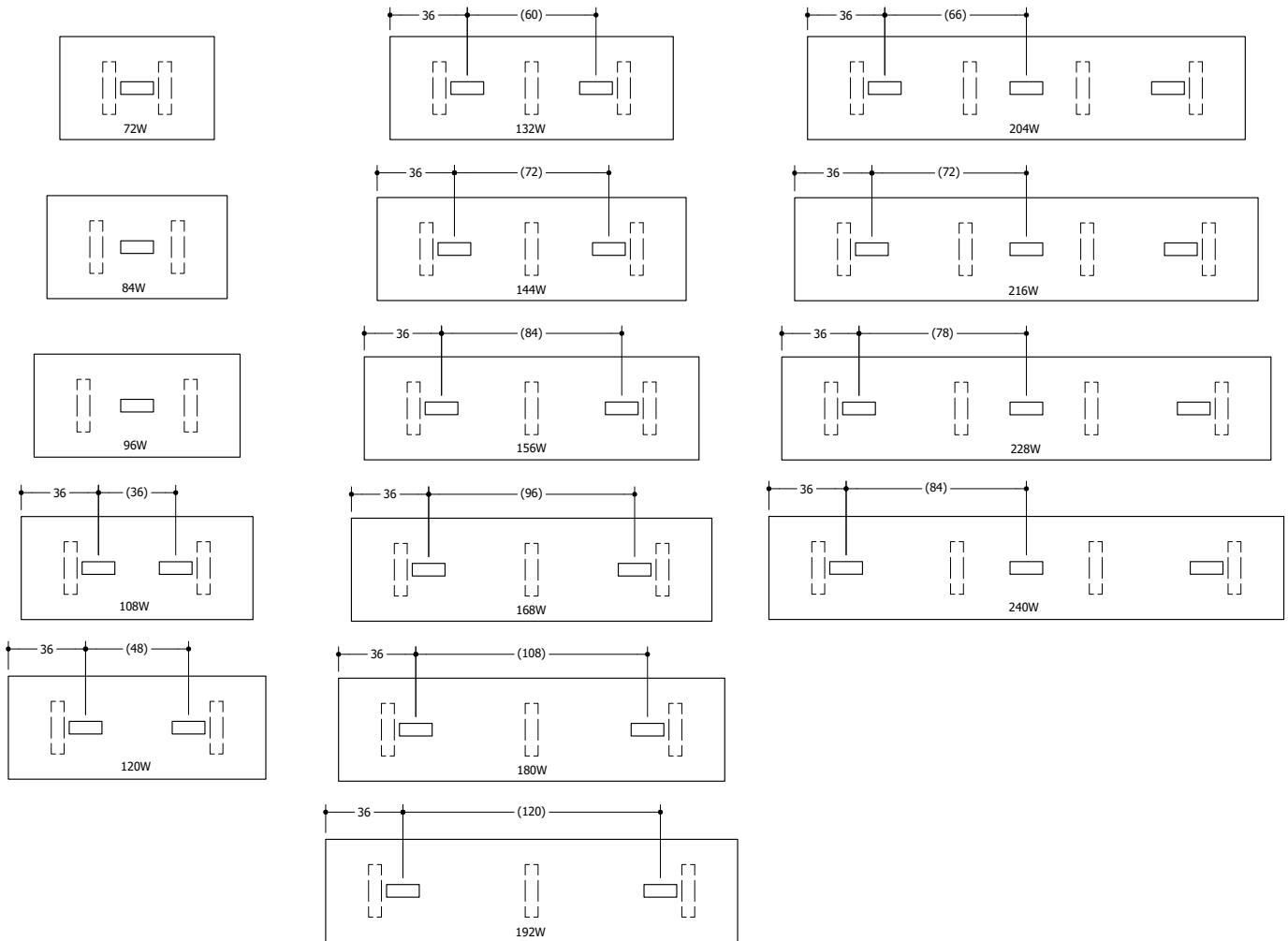
## Conference Tables

### Table Construction

#### Rectangular Table Top : CODE "R"



#### WIRE MANAGEMENT FOR TABLES WITH TOP-MOUNT ELECTRICAL BOXES



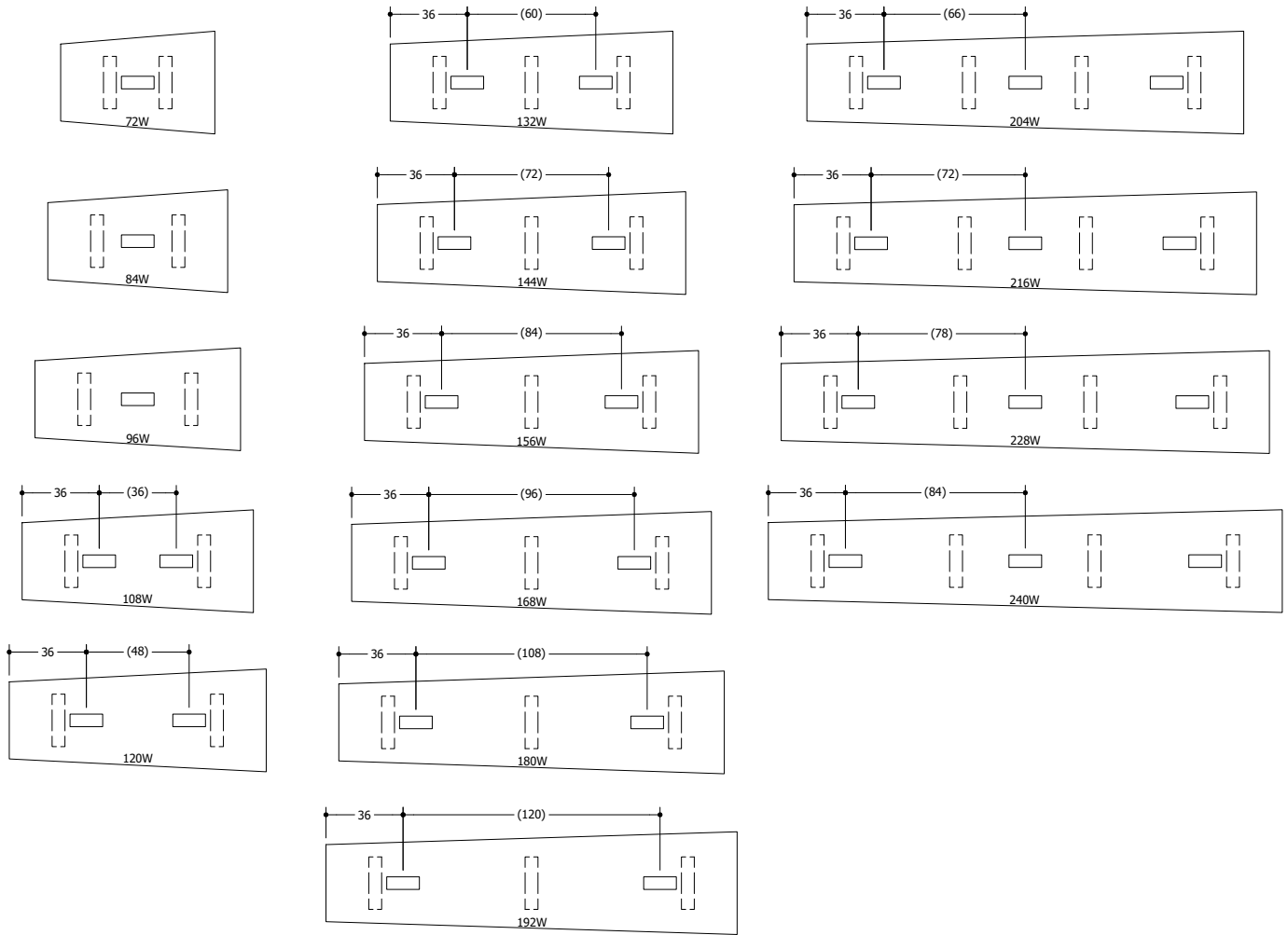
# General Specifications

## Conference Tables

### Table Construction

#### Trapezoid Table Top : CODE "T"

Available in standard depths of 42"/48" and 54"/60"



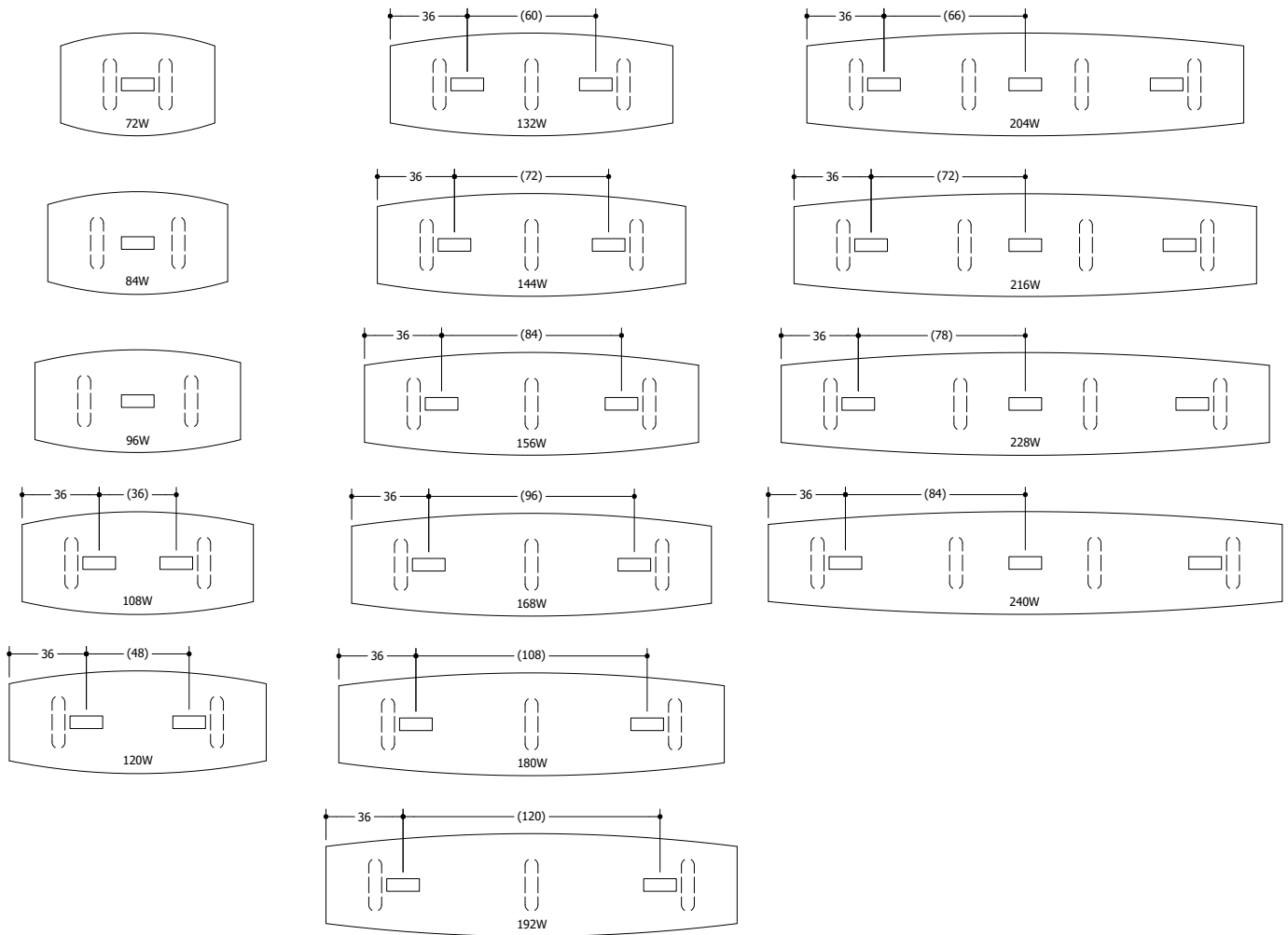
# General Specifications

## Conference Tables

### Table Construction

#### Boat Shape Table Top : CODE "B"

Available in standard depths of 42"/48" and 54"/60"

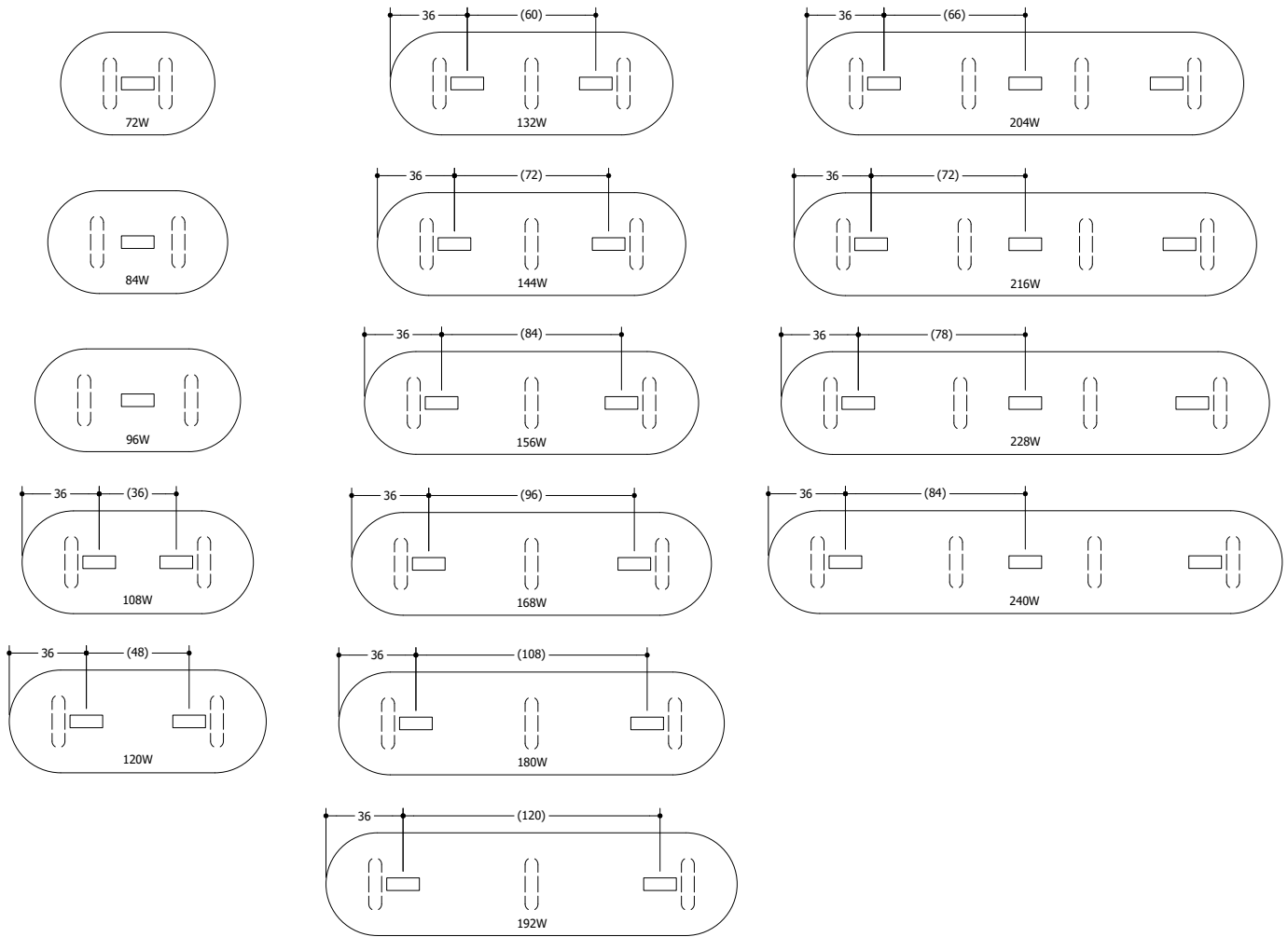


# General Specifications

## Conference Tables

### Table Construction

#### Race Track Top : CODE "K"



# General Specifications

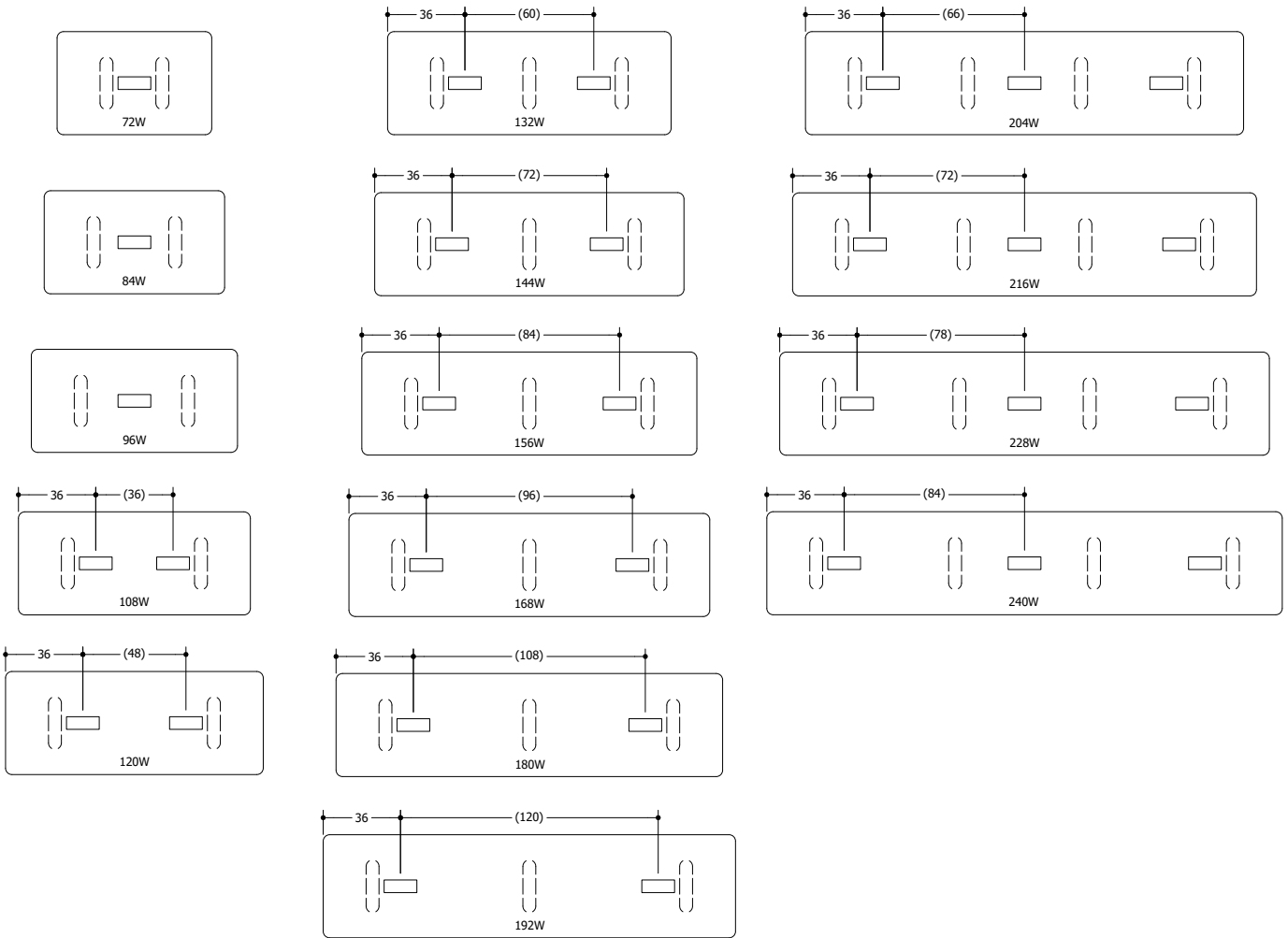
## Conference Tables

### Table Construction

Rectangle w/ Rounded Corners Top : CODE "RC"

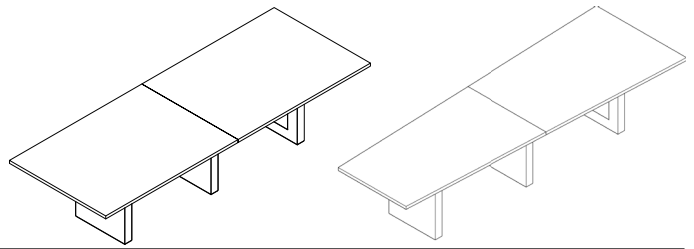
Trapezoid w/ Rounded Corners Top : CODE "TC"

Boat w/ Rounded Corners Top : CODE "BC"



# Rectangular/Trapezoid Conference Tables

**48" Deep Tops, 29 1/4" High  
1 1/4" Thick Tops, 3 1/2" Wide Rect. Bases**



Type	D	W	H	Pattern No	T1P	T2P
1 (72") tops, 2 (3 1/2") bases	48"	72"	29 1/4"	<b>07(R/T)48X72V13</b>	\$9,117	\$9,511
1 (84") tops, 2 (3 1/2") bases	48"	84"	29 1/4"	<b>07(R/T)48X84V13</b>	9,686	10,143
2 (48") tops, 2 (3 1/2") bases	48"	96"	29 1/4"	<b>07(R/T)48X96V13</b>	10,223	10,747
2 (54") tops, 2 (3 1/2") bases	48"	108"	29 1/4"	<b>07(R/T)48X108V13</b>	10,856	11,457
2 (60") tops, 2 (3 1/2") bases	48"	120"	29 1/4"	<b>07(R/T)48X120V13</b>	11,398	12,055
2 (66") tops, 3 (3 1/2") bases	48"	132"	29 1/4"	<b>07(R/T)48X132V13</b>	14,050	14,779
2 (72") tops, 3 (3 1/2") bases	48"	144"	29 1/4"	<b>07(R/T)48X144V13</b>	14,638	15,425
3 (52") tops, 3 (3 1/2") bases	48"	156"	29 1/4"	<b>07(R/T)48X156V13</b>	15,199	16,050
3 (56") tops, 3 (3 1/2") bases	48"	168"	29 1/4"	<b>07(R/T)48X168V13</b>	15,764	16,680
3 (60") tops, 3 (3 1/2") bases	48"	180"	29 1/4"	<b>07(R/T)48X180V13</b>	16,330	17,315
3 (64") tops, 3 (3 1/2") bases	48"	192"	29 1/4"	<b>07(R/T)48X192V13</b>	17,370	18,433
3 (68") tops, 4 (3 1/2") bases	48"	204"	29 1/4"	<b>07(R/T)48X204V13</b>	19,588	20,693
3 (72") tops, 4 (3 1/2") bases	48"	216"	29 1/4"	<b>07(R/T)48X216V13</b>	20,141	21,331
3 (76") tops, 4 (3 1/2") bases	48"	228"	29 1/4"	<b>07(R/T)48X228V13</b>	20,721	21,953
3 (80") tops, 4 (3 1/2") bases	48"	240"	29 1/4"	<b>07(R/T)48X240V13</b>	21,278	22,594

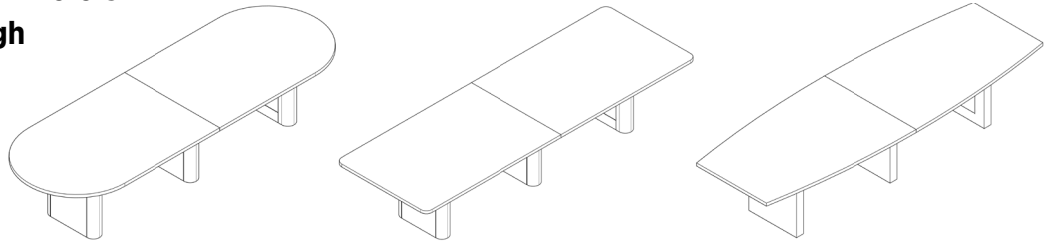
Order Code	Specification Information	Pricing Tiers
Example: <b>07R48X72V13</b>	<b>Table Shape Options</b>	<b>T1P</b> = Tier 1 veneer top with painted base
<b>07</b> JD Collection	<b>Code: Description:</b>	<b>T2P</b> = Tier 2 veneer top with painted bases
<b>R</b> Rect. Conf. Table	<b>R</b> Rectangle	<b>T1</b> = Upcharge from T1P for Tier 1 veneer bases
<b>48X</b> Depth	<b>T</b> Trapezoid	<b>T2</b> = Upcharge from T2P for Tier 2 veneer bases
<b>72</b> Width	<b>B</b> Boat	
<b>V</b> Veneer	<b>K</b> Race Track	
<b>1</b> 1 1/4" thick top	<b>RC</b> Rectangle w/ Rounded Corners	
<b>3</b> 3 1/2" wide base	<b>TC</b> Trapezoid w/ Rounded Corners	
	<b>BC</b> Boat w/ Rounded Corners	
	<b>Power Options</b>	To order please specify pattern number including:
	<b>Code: Description:</b>	1. Top finish: ( )
	<b>NP</b> No Power	2. Base finish: ( )
	<b>PU</b> Perimeter USB	3. Power and connectivity: ( )
	<b>UCO</b> Undermount	
	<b>T2C</b> Tabletop 2-Sided Lid	

Please refer to Materials and Finishes [page 9](#) for specification details. Please refer to Accessories [page 74](#) for specification details.



# Conference Table - Adds

**48" Deep Tops, 29 1/4" High**



T1 Upcharge	T2 Upcharge	2" Top Upcharge	B/K/RC/TC/BC Upcharge	6" Base Upcharge	6" Pill Base Upcharge
\$1,015	\$1,418	\$329	\$1,316	\$165	\$1,457
1,015	1,418	384	1,316	165	1,457
1,015	1,418	439	1,316	165	1,457
1,015	1,418	494	1,316	165	1,457
1,015	1,418	548	1,316	165	1,457
1,525	2,127	603	1,316	247	2,185
1,525	2,127	658	1,316	247	2,185
1,525	2,127	713	1,316	247	2,185
1,525	2,127	768	1,316	247	2,185
1,525	2,127	823	1,316	247	2,185
1,525	2,127	878	1,316	247	2,185
2,033	2,834	932	1,316	329	2,913
2,033	2,834	987	1,316	329	2,913
2,033	2,834	1,042	1,316	329	2,913
2,033	2,834	1,097	1,316	329	2,913

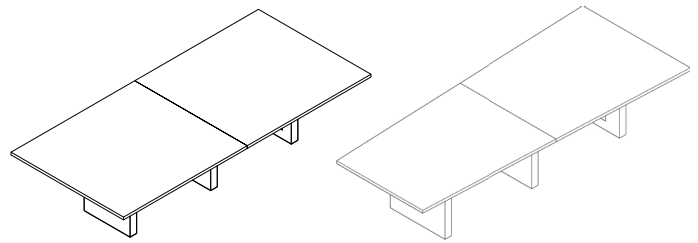
**Application Notes**

Tables ship knocked-down, assembly required.  
 Tables come with structural metal aprons, finished in metallic black powder (MC12).  
 Wire management handled vertically through bases and horizontally through aprons.  
 Bases can fully or partially conceal a floor core, pending the application. This ability will vary based on type, size, location of the floor core.

Finish and grain matched on tables with multi-piece tops  
 Undermount power units finished in metallic black powder (MC12).  
 Tops pre-drilled for installation of undermount power.  
 Undermount power unit comes with (x1) dual AC hardwire (HW) or plug in(PI) power module and (x2) single space blank plates. For additional connectivity please contact sales person.

# Rectangular/Trapezoid Conference Tables

**60" Deep Tops, 29 1/4" High  
1 1/4" Thick Tops, 3 1/2" Wide Rect. Bases**

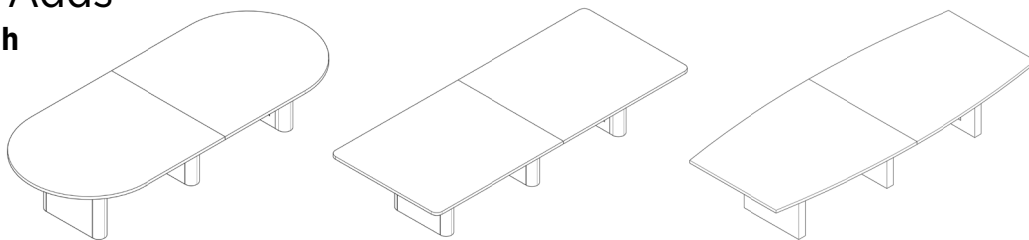


Type	D	W	H	Pattern No	T1P	T2P
1 (72") tops, 2 (3 1/2") bases	60"	72"	29 1/4"	<b>07(R/T)60X72V13</b>	\$9,942	\$10,437
1 (84") tops, 2 (3 1/2") bases	60"	84"	29 1/4"	<b>07(R/T)60X84V13</b>	10,646	11,236
2 (48") tops, 2 (3 1/2") bases	60"	96"	29 1/4"	<b>07(R/T)60X96V13</b>	11,359	12,017
2 (54") tops, 2 (3 1/2") bases	60"	108"	29 1/4"	<b>07(R/T)60X108V13</b>	12,062	12,802
2 (60") tops, 2 (3 1/2") bases	60"	120"	29 1/4"	<b>07(R/T)60X120V13</b>	12,766	13,602
2 (66") tops, 3 (3 1/2") bases	60"	132"	29 1/4"	<b>07(R/T)60X132V13</b>	15,588	16,487
2 (72") tops, 3 (3 1/2") bases	60"	144"	29 1/4"	<b>07(R/T)60X144V13</b>	16,282	17,277
3 (52") tops, 3 (3 1/2") bases	60"	156"	29 1/4"	<b>07(R/T)60X156V13</b>	16,987	18,048
3 (56") tops, 3 (3 1/2") bases	60"	168"	29 1/4"	<b>07(R/T)60X168V13</b>	17,703	18,844
3 (60") tops, 3 (3 1/2") bases	60"	180"	29 1/4"	<b>07(R/T)60X180V13</b>	18,400	19,644
3 (64") tops, 3 (3 1/2") bases	60"	192"	29 1/4"	<b>07(R/T)60X192V13</b>	19,585	20,883
3 (68") tops, 4 (3 1/2") bases	60"	204"	29 1/4"	<b>07(R/T)60X204V13</b>	21,930	23,315
3 (72") tops, 4 (3 1/2") bases	60"	216"	29 1/4"	<b>07(R/T)60X216V13</b>	22,610	24,097
3 (76") tops, 4 (3 1/2") bases	60"	228"	29 1/4"	<b>07(R/T)60X228V13</b>	23,049	24,607
3 (80") tops, 4 (3 1/2") bases	60"	240"	29 1/4"	<b>07(R/T)60X240V13</b>	24,017	25,678

Order Code	Specification Information	Pricing Tiers
Example: <b>07R60X72V13</b>	<b>Table Shape Options</b>	<p><b>T1P</b> = Tier 1 veneer top with painted base</p> <p><b>T2P</b> = Tier 2 veneer top with painted bases</p> <p><b>T1</b> = Upcharge from T1P for Tier 1 veneer bases</p> <p><b>T2</b> = Upcharge from T2P for Tier 2 veneer bases</p>
<b>07</b> JD Collection	<b>Code: Description:</b>	
<b>R</b> Rect. Conf. Table	<b>R</b> Rectangle	<p>Please refer to Materials and Finishes <a href="#">page 9</a> for specification details. Please refer to Accessories <a href="#">page 74</a> for specification details.</p> <p>To order please specify pattern number including:</p> <ol style="list-style-type: none"> <li>1. Top finish: ( )</li> <li>2. Base finish: ( )</li> <li>3. Power and connectivity: ( )</li> </ol>
<b>60X</b> Depth	<b>T</b> Trapezoid	
<b>72</b> Width	<b>B</b> Boat	
<b>V</b> Veneer	<b>K</b> Race Track	
<b>1</b> 1 1/4" thick top	<b>RC</b> Rectangle w/ Rounded Corners	
<b>3</b> 3 1/2" wide base	<b>TC</b> Trapezoid w/ Rounded Corners	
	<b>BC</b> Boat w/ Rounded Corners	
	<b>Power Options</b>	
	<b>Code: Description:</b>	
	<b>NP</b> No Power	
	<b>PU</b> Perimeter USB	
	<b>UCO</b> Undermount	
	<b>T2C</b> Tabletop 2-Sided Lid	

# Conference Table - Adds

## 60" Deep Tops, 29 1/4" High



T1 Upcharge	T2 Upcharge	2" Top Upcharge	B/K/RC/TC/BC Upcharge	6" Base Upcharge	6" Pill Base Upcharge
\$1,039	\$1,445	\$439	\$1,316	\$165	\$1,457
1,039	1,445	494	1,316	165	1,457
1,039	1,445	548	1,316	165	1,457
1,039	1,445	603	1,316	165	1,457
1,039	1,445	658	1,316	165	1,457
1,574	2,182	713	1,316	247	2,185
1,574	2,182	768	1,316	247	2,185
1,574	2,182	823	1,316	247	2,185
1,574	2,182	878	1,316	247	2,185
1,574	2,182	932	1,316	247	2,185
1,574	2,182	987	1,316	247	2,185
2,076	2,891	1,042	1,316	329	2,913
2,076	2,891	1,097	1,316	329	2,913
2,076	2,891	1,152	1,316	329	2,913
2,076	2,891	1,207	1,316	329	2,913

### Application Notes

Tables ship knocked-down, assembly required.  
 Tables come with structural metal aprons, finished in metallic black powder (MC12).  
 Wire management handled vertically through bases and horizontally through aprons.  
 Bases can fully or partially conceal a floor core, pending the application. This ability will vary based on type, size, location of the floor core.

Finish and grain matched on tables with multi-piece tops  
 Undermount power units finished in metallic black powder (MC12).  
 Tops pre-drilled for installation of undermount power.  
 Undermount power unit comes with (x1) dual AC hardwire (HW) or plug in(PI) power module and (x2) single space blank plates. For additional connectivity please contact sales person.



# JD Collection Media Tables

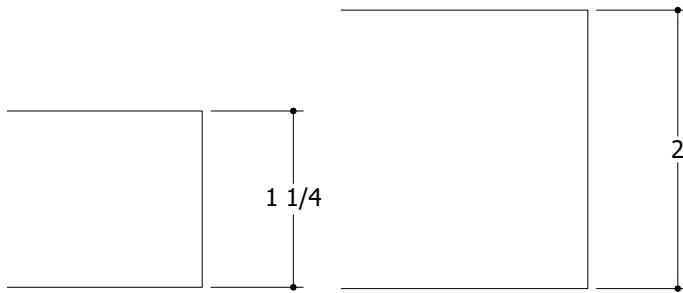


**DATESWEISER**

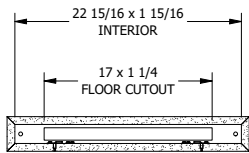
# General Specifications

## Media Tables

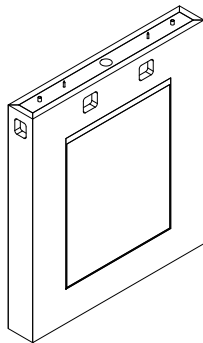
### Edge Profiles



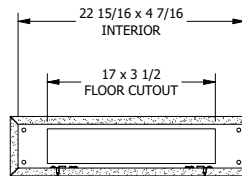
### Bases, 24-1/2" and 30-1/2" Deep with Magnetic Door



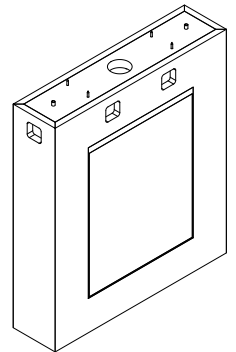
SECTION B-B  
INTERIOR CLEARANCES



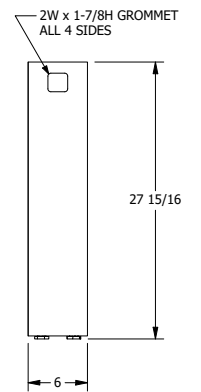
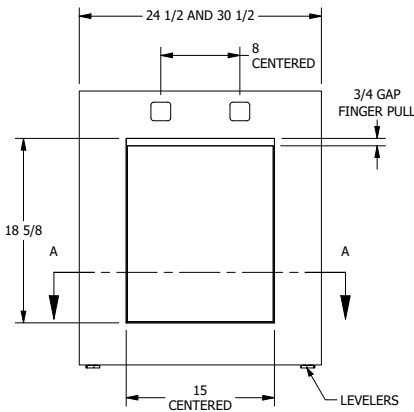
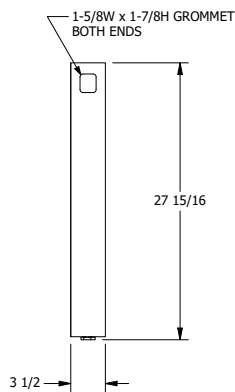
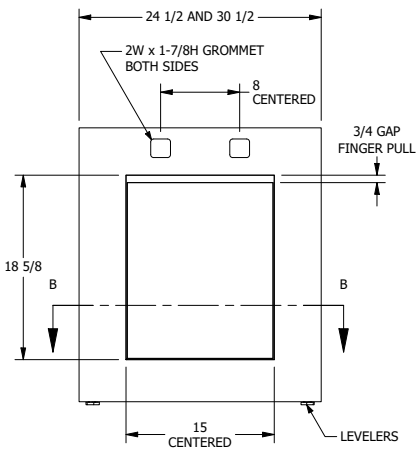
3 1/2"W BASE



SECTION A-A  
INTERIOR CLEARANCES



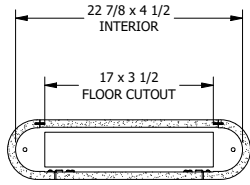
6"W BASE



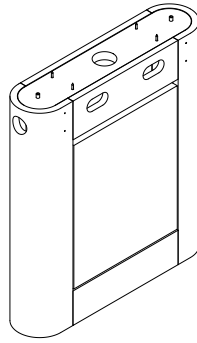
# General Specifications

## Media Tables

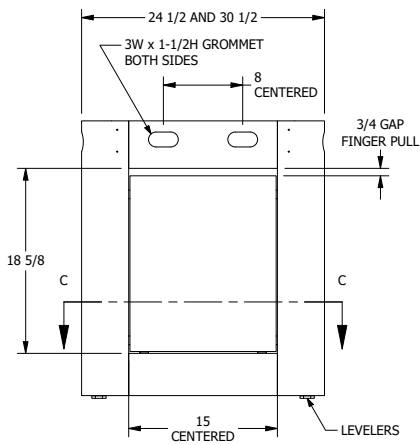
### Base Construction



SECTION C-C  
INTERIOR CLEARANCES



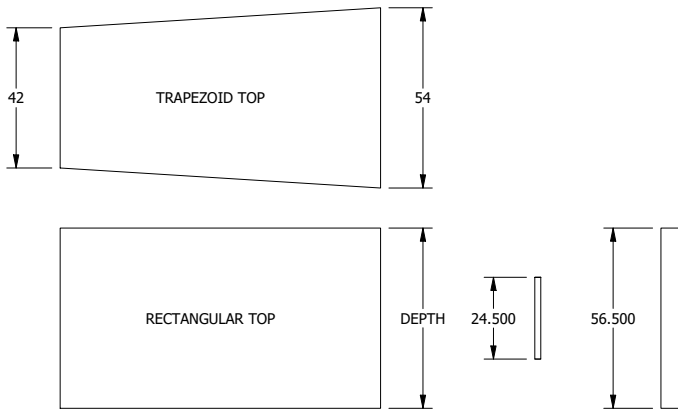
6"W BASE



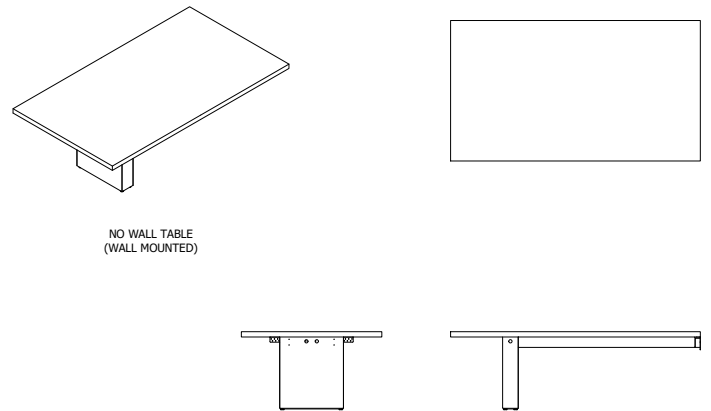
# General Specifications

## Media Tables

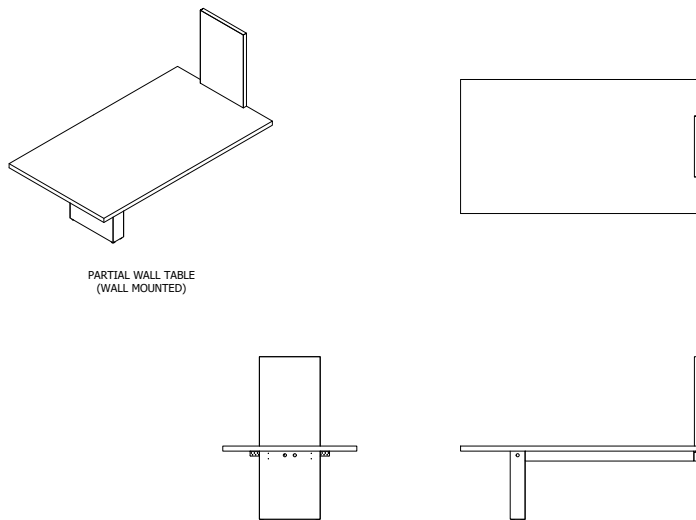
### Table Construction



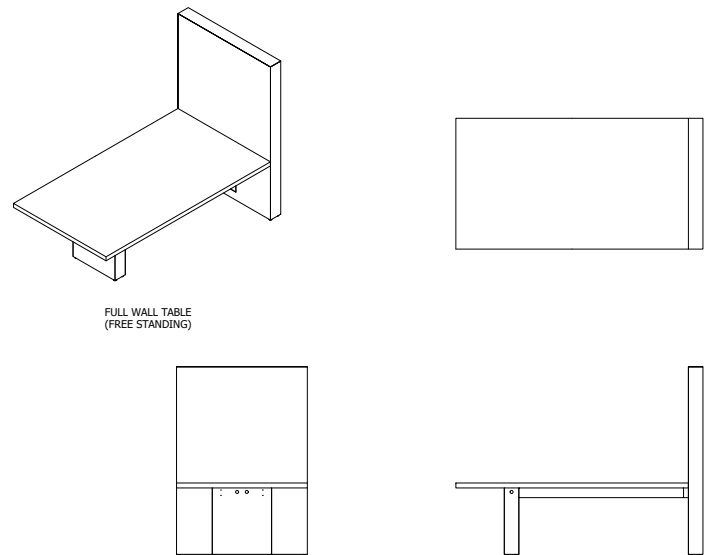
### Wall Mounted Table Construction (no Media Wall)



### Partial Media Wall Table Construction



### Full Media Wall Table Construction

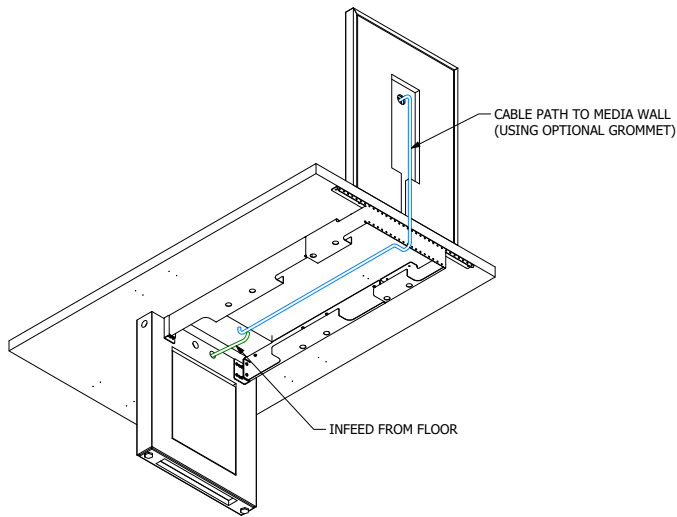




# General Specifications

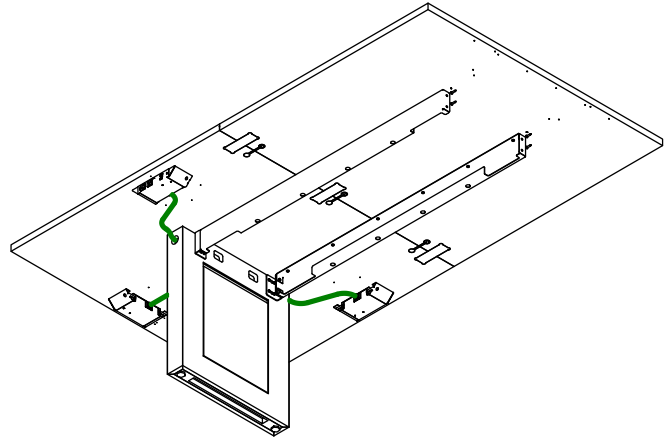
## Media Tables

### Partial Wall Cable Planning



CABLING DIAGRAM:  
WALL-MOUNTED TABLE AND PARTIAL MEDIA WALL  
WITH TABLETOP POWER OPTION

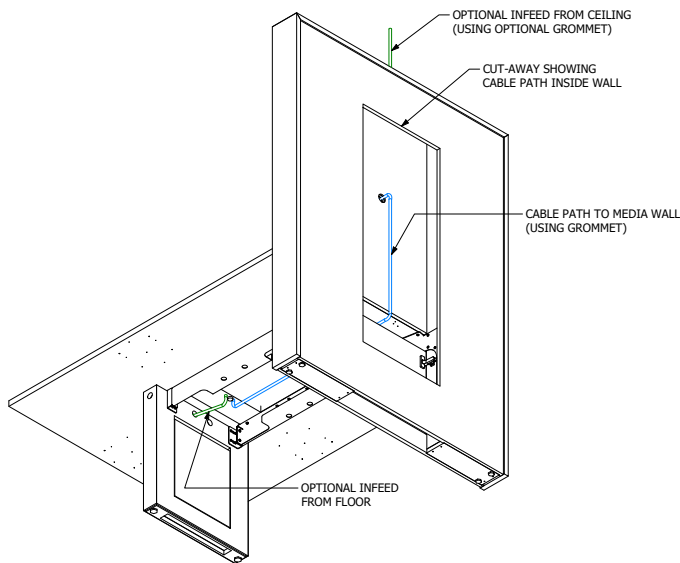
### Under-mount Power Option



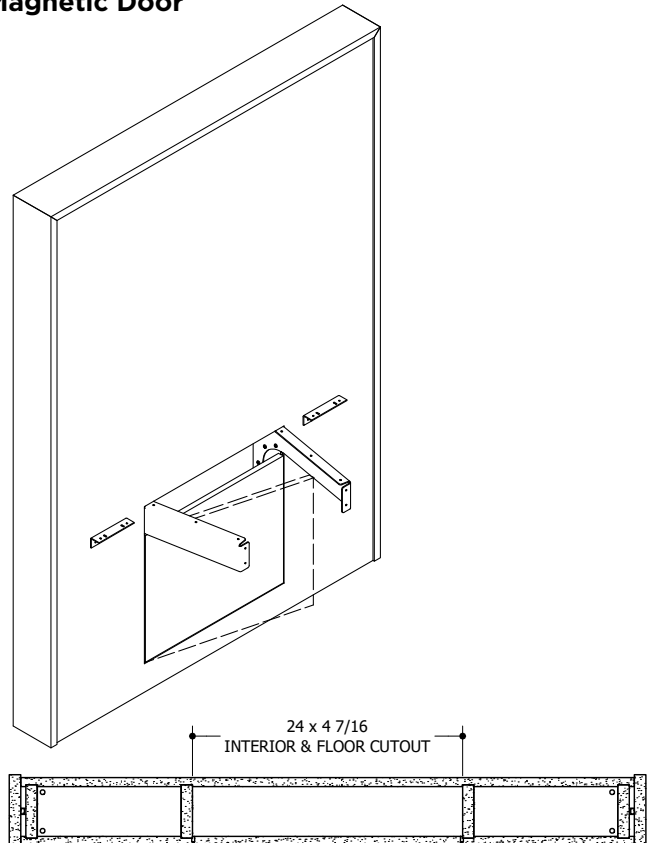
CABLING DIAGRAM:  
UNDER-MOUNT POWER OPTION

### Full-Height Media Wall, 59-9/16" Deep with Magnetic Door

### Full Wall Cable Planning



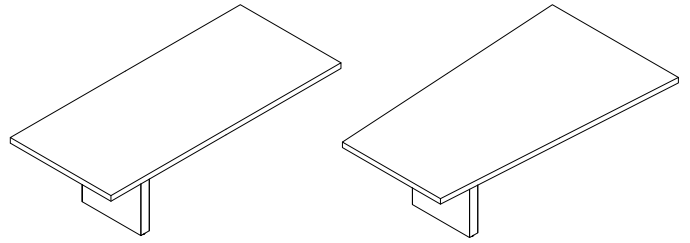
CABLING DIAGRAM:  
FREE-STANDING TABLE AND FULL MEDIA WALL  
WITH TABLETOP POWER OPTION



# Rectangular Media Tables

**42" Deep Tops**

**1 1/4" Thick Top, 3 1/2" Wide Bases**



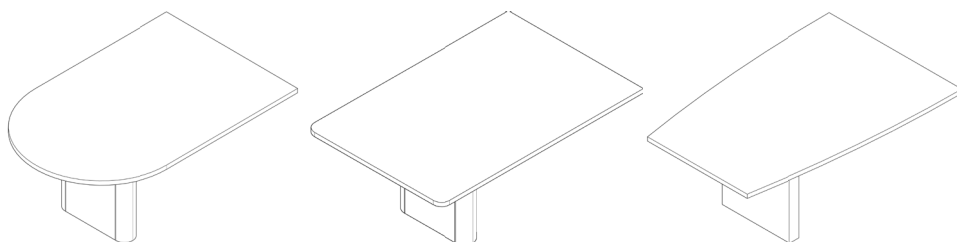
Type	D	W	H	Pattern No.	TP1	TP2
1 (60") top, 1 (3 1/2") Base	42"	60"	29 1/4"	<b>07M(R/T)42X60V1330</b>	\$6,766	\$7,090
1 (72") top, 1 (3 1/2") Base	42"	72"	29 1/4"	<b>07M(R/T)42X72V1330</b>	6,875	7,207
1 (84") top, 1 (3 1/2") Base	42"	84"	29 1/4"	<b>07M(R/T)42X84V1330</b>	6,899	7,232
2 (48") tops, 1 (3 1/2") Base	42"	96"	29 1/4"	<b>07M(R/T)42X96V1330</b>	7,008	7,350
1 (60") top, 1 (3 1/2") Base	42"	60"	41 1/4"	<b>07M(R/T)42X60V1342</b>	7,285	7,648
1 (72") top, 1 (3 1/2") Base	42"	72"	41 1/4"	<b>07M(R/T)42X72V1342</b>	7,391	7,766
1 (84") top, 1 (3 1/2") Base	42"	84"	41 1/4"	<b>07M(R/T)42X84V1342</b>	7,427	7,802
2 (48") tops, 1 (3 1/2") Base	42"	96"	41 1/4"	<b>07M(R/T)42X96V1342</b>	7,537	7,922

Order Code	Specification Information	Pricing Tiers
Example: <b>07MR42X60V1330</b>	<b>Table Shape Options</b>	<b>TP1</b> = Tier 1 veneer top with painted base
<b>07</b> JD Collection	<b>Code: Description:</b>	<b>T2P</b> = Tier 2 veneer top with painted bases
<b>MR</b> Media Table Rectangular	<b>R</b> Rectangle	<b>T1</b> = Upcharge from T1P for Tier 1 veneer bases
<b>42X</b> Depth	<b>T</b> Trapezoid	<b>T2</b> = Upcharge from T2P for Tier 2 veneer bases
<b>60</b> Width	<b>B</b> Boat	To order please specify pattern number including:
<b>V</b> Veneer	<b>K</b> Race Track	1. Top finish: ( )
<b>1</b> 1 1/4" thick top	<b>RC</b> Rectangle w/ Rounded Corners	2. Base finish: ( )
<b>3</b> 3 1/2" wide base	<b>TC</b> Trapezoid w/ Rounded Corners	3. Power and connectivity: ( )
<b>30</b> Height	<b>BC</b> Boat w/ Rounded Corners	
	<b>Power Options</b>	
	<b>Code: Description:</b>	
	<b>NP</b> No Power	
	<b>PU</b> Perimeter USB	
	<b>UCO</b> Undermount	
	<b>T2C</b> Tabletop 2-Sided Lid	

Please refer to Materials and Finishes [page 9](#) for specification details. Please refer to Accessories [page 74](#) for specification details.

# Media Tables - Adds

## 42" Deep Tops



T1 Upcharge	T2 Upcharge	2" Top Upcharge	B/K/RC/TC/BC Upcharge	6" Base Upcharge	6" Pill Base Upcharge
\$511	\$716	\$329	\$1,316	\$82	\$728
511	716	384	1,316	82	728
511	716	439	1,316	82	728
511	716	494	1,316	82	728
511	716	548	1,316	82	728
511	716	603	1,316	82	728
511	716	658	1,316	82	728
511	716	713	1,316	82	728

### Application Notes

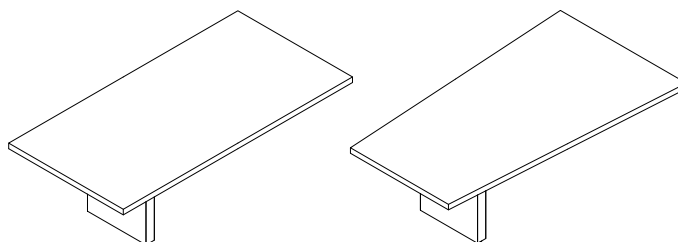
Tables comes with only one base.  
 Under-mount and slide-out power is always Black.  
 Tables ship knocked-down, assembly required.  
 Tables come with structural metal aprons, finished in metallic black powder (MC12).  
 Wire management handled vertically through bases and horizontally through aprons.  
 Bases can fully or partially conceal a floor core, pending the application. This ability will vary based on type, size, location of the floor core.

Finish and grain matched on tables with multi-piece tops  
 Undermount power units finished in metallic black powder (MC12).  
 Tops pre-drilled for installation of undermount power.  
 Undermount power unit comes with (x1) dual AC hardwire (HW) or plug in(PI) power module and (x2) single space blank plates. For additional connectivity please contact sales person.  
 Top-mount power is available in 5 finishes:  
 Black = ECB  
 White = ECGW  
 Silver = ECS  
 Brushed Aluminum = ECAL  
 Stainless Steel = ECSS.

# Rectangular Media Tables

**48" Deep Tops**

**1 1/4" Thick Top, 3 1/2" Wide Bases**

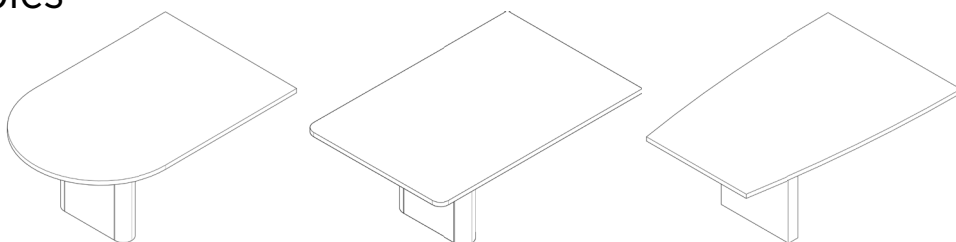


Type	D	W	H	Pattern No.	TP1	TP2
1 (60") top, 1 (3 1/2") Base	48"	60"	29 1/4"	<b>07M(R/T)48X60V1330</b>	\$7,123	\$7,474
1 (72") top, 1 (3 1/2") Base	48"	72"	29 1/4"	<b>07M(R/T)48X72V1330</b>	7,241	7,602
1 (84") top, 1 (3 1/2") Base	48"	84"	29 1/4"	<b>07M(R/T)48X84V1330</b>	7,263	7,625
2 (48") tops, 1 (3 1/2") Base	48"	96"	29 1/4"	<b>07M(R/T)48X96V1330</b>	7,382	7,754
1 (60") top, 1 (3 1/2") Base	48"	60"	41 1/4"	<b>07M(R/T)48X60V1342</b>	7,721	8,119
1 (72") top, 1 (3 1/2") Base	48"	72"	41 1/4"	<b>07M(R/T)48X72V1342</b>	7,828	8,234
1 (84") top, 1 (3 1/2") Base	48"	84"	41 1/4"	<b>07M(R/T)48X84V1342</b>	7,871	8,282
2 (48") tops, 1 (3 1/2") Base	48"	96"	41 1/4"	<b>07M(R/T)48X96V1342</b>	7,980	8,400

Order Code	Specification Information	Pricing Tiers
Example: <b>07MR48X60V1330</b>	<b>Table Shape Options</b>	<b>T1P</b> = Tier 1 veneer top with painted base
<b>07</b> JD Collection	<b>Code: Description:</b>	<b>T2P</b> = Tier 2 veneer top with painted bases
<b>MR</b> Media Table Rectangular	<b>R</b> Rectangle	<b>T1</b> = Upcharge from T1P for Tier 1 veneer bases
<b>48X</b> Depth	<b>T</b> Trapezoid	<b>T2</b> = Upcharge from T2P for Tier 2 veneer bases
<b>60</b> Width	<b>B</b> Boat	To order please specify pattern number including: 1. Top finish: ( ) 2. Base finish: ( ) 3. Power and connectivity: ( )
<b>V</b> Veneer	<b>K</b> Race Track	
<b>1</b> 1 1/4" thick top	<b>RC</b> Rectangle w/ Rounded Corners	Please refer to Materials and Finishes <a href="#">page 9</a> for specification details. Please refer to Accessories <a href="#">page 74</a> for specification details.
<b>3</b> 3 1/2" wide base	<b>TC</b> Trapezoid w/ Rounded Corners	
<b>30</b> Height	<b>BC</b> Boat w/ Rounded Corners	
	<b>Power Options</b>	
	<b>Code: Description:</b>	
	<b>NP</b> No Power	
	<b>PU</b> Perimeter USB	
	<b>UCO</b> Undermount	
	<b>T2C</b> Tabletop 2-Sided Lid	

# Rectangular Media Tables

## 48" Deep Tops



T1 Upcharge	T2 Upcharge	2" Top Upcharge	B/K/RC/TC/BC Upcharge	6" Base Upcharge	6" Pill Base Upcharge
\$511	\$716	\$329	\$1,316	\$82	\$728
511	716	384	1,316	82	728
511	716	439	1,316	82	728
511	716	494	1,316	82	728
511	716	548	1,316	82	728
511	716	603	1,316	82	728
511	716	658	1,316	82	728
511	716	713	1,316	82	728

### Application Notes

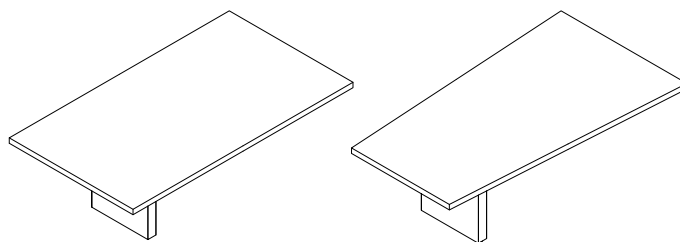
Tables comes with only one base.  
 Under-mount and slide-out power is always Black.  
 Tables ship knocked-down, assembly required.  
 Tables come with structural metal aprons, finished in metallic black powder (MC12).  
 Wire management handled vertically through bases and horizontally through aprons.  
 Bases can fully or partially conceal a floor core, pending the application. This ability will vary based on type, size, location of the floor core.

Finish and grain matched on tables with multi-piece tops  
 Undermount power units finished in metallic black powder (MC12).  
 Tops pre-drilled for installation of undermount power.  
 Undermount power unit comes with (x1) dual AC hardwire (HW) or plug in(PI) power module and (x2) single space blank plates. For additional connectivity please contact sales person.  
 Top-mount power is available in 5 finishes:  
 Black = ECB  
 White = ECGW  
 Silver = ECS  
 Brushed Aluminum = ECAL  
 Stainless Steel = ECSS.

# Rectangular Media Tables

**54" Deep Tops**

**1 1/4" Thick Top, 3 1/2" Wide Bases**



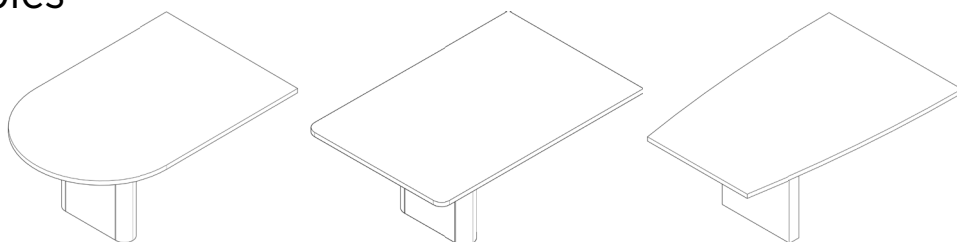
Type	D	W	H	Pattern No.	TP1	TP2
1 (60") top, 1 (3 1/2") Base	54"	60"	29 1/4"	<b>07M(R/T)54X60V1330</b>	\$6,762	\$7,083
1 (72") top, 1 (3 1/2") Base	54"	72"	29 1/4"	<b>07M(R/T)54X72V1330</b>	7,609	8,001
1 (84") top, 1 (3 1/2") Base	54"	84"	29 1/4"	<b>07M(R/T)54X84V1330</b>	6,894	7,226
2 (48") tops, 1 (3 1/2") Base	54"	96"	29 1/4"	<b>07M(R/T)54X96V1330</b>	7,759	8,161
1 (60") top, 1 (3 1/2") Base	54"	60"	41 1/4"	<b>07M(R/T)54X60V1342</b>	8,151	8,585
1 (72") top, 1 (3 1/2") Base	54"	72"	41 1/4"	<b>07M(R/T)54X72V1342</b>	8,262	8,705
1 (84") top, 1 (3 1/2") Base	54"	84"	41 1/4"	<b>07M(R/T)54X84V1342</b>	8,311	8,756
2 (48") tops, 1 (3 1/2") Base	54"	96"	41 1/4"	<b>07M(R/T)54X96V1342</b>	8,424	8,879

Order Code	Specification Information	Pricing Tiers
Example: <b>07MR54X60V1330</b>	<b>Table Shape Options</b>	<b>T1P</b> = Tier 1 veneer top with painted base
<b>07</b> JD Collection	<b>Code: Description:</b>	<b>T2P</b> = Tier 2 veneer top with painted bases
<b>MR</b> Media Table Rectangular	<b>R</b> Rectangle	<b>T1</b> = Upcharge from T1P for Tier 1 veneer bases
<b>54X</b> Depth	<b>T</b> Trapezoid	<b>T2</b> = Upcharge from T2P for Tier 2 veneer bases
<b>60</b> Width	<b>B</b> Boat	To order please specify pattern number including:
<b>V</b> Veneer	<b>K</b> Race Track	1. Top finish: ( )
<b>1</b> 1 1/4" thick top	<b>RC</b> Rectangle w/ Rounded Corners	2. Base finish: ( )
<b>3</b> 3 1/2" wide base	<b>TC</b> Trapezoid w/ Rounded Corners	3. Power and connectivity: ( )
<b>30</b> Height	<b>BC</b> Boat w/ Rounded Corners	
	<b>Power Options</b>	
	<b>Code: Description:</b>	
	<b>NP</b> No Power	
	<b>PU</b> Perimeter USB	
	<b>UCO</b> Undermount	
	<b>T2C</b> Tabletop 2-Sided Lid	

Please refer to Materials and Finishes [page 9](#) for specification details. Please refer to Accessories [page 74](#) for specification details.

# Rectangular Media Tables

## 54" Deep Tops



T1 Upcharge	T2 Upcharge	2" Top Upcharge	B/K/RC/TC/BC Upcharge	6" Base Upcharge	6" Pill Base Upcharge
\$511	\$716	\$329	\$1,316	\$82	\$728
511	716	384	1,316	82	728
511	716	439	1,316	82	728
511	716	494	1,316	82	728
511	716	548	1,316	82	728
511	716	603	1,316	82	728
511	716	658	1,316	82	728
511	716	713	1,316	82	728

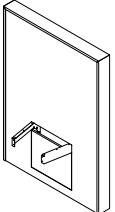
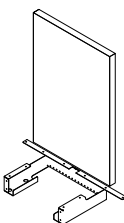
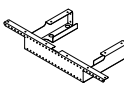
### Application Notes

Tables comes with only one base.  
 Under-mount and slide-out power is always Black.  
 Tables ship knocked-down, assembly required.  
 Tables come with structural metal aprons, finished in metallic black powder (MC12).  
 Wire management handled vertically through bases and horizontally through aprons.  
 Bases can fully or partially conceal a floor core, pending the application. This ability will vary based on type, size, location of the floor core.

Finish and grain matched on tables with multi-piece tops  
 Undermount power units finished in metallic black powder (MC12).  
 Tops pre-drilled for installation of undermount power.  
 Undermount power unit comes with (x1) dual AC hardwire (HW) or plug in(PI) power module and (x2) single space blank plates. For additional connectivity please contact sales person.  
 Top-mount power is available in 5 finishes:  
 Black = ECB  
 White = ECGW  
 Silver = ECS  
 Brushed Aluminum = ECAL  
 Stainless Steel = ECSS.

# Media Table Accesories

## Wall Connections

Type	W	H	Wall Thickness	Pattern No.	Tier 1	Tier 2	LIST
							
30"H Table Full Wall	56 1/2"	72 1/2"	6 1/2"	<b>07MFSI57797</b>	\$11,852	\$12,077	-
42"H Table Full Wall	56 1/2"	72 1/2"	6 1/2"	<b>07MFST57797</b>	11,852	12,077	-
							
Partial Wall	24 1/2"	36"	2"	<b>07MPH24362</b>	3,508	3,716	-
							
Wall Bracket	0	0		<b>007MBR</b>	0	-	\$1,141

Order Code	Specification Information	Pricing Tiers	
Example: <b>07MPH24362</b>	To order please specify pattern number including:	<b>T1</b> = Tier 1 veneer <b>T2</b> = Tier 2 veneer	Media Wall bracket is only for the cantilever table mounted on an architectural wall. For the Full and Partial Media Wall, the bracket is included.
<b>07</b> JD Collection	1. Trim Finish		
<b>MP</b> Media Partial Height Wall	2. Table Side Finish		
<b>24</b> Width	3. Other Side Finish		
<b>36</b> Height	Please refer to Materials and Finishes page for specification details.		
<b>2</b> Thickness			



# JD Collection Waterfall Tables



**DATESWEISER**

# General Specifications

## Waterfall Tables Product Overview

---

### Design Features Of Tables

- Panel Thickness: 3.000 " (For both 1- and 2-piece designs)
- Apron Height: 5.000 " (For both 1- and 2-piece designs)
- Veneer finishes only
- Height Adjustable Cable Access Covers on inside of End Panels



42H x 30D x 84W Waterfall Table (1-Piece)



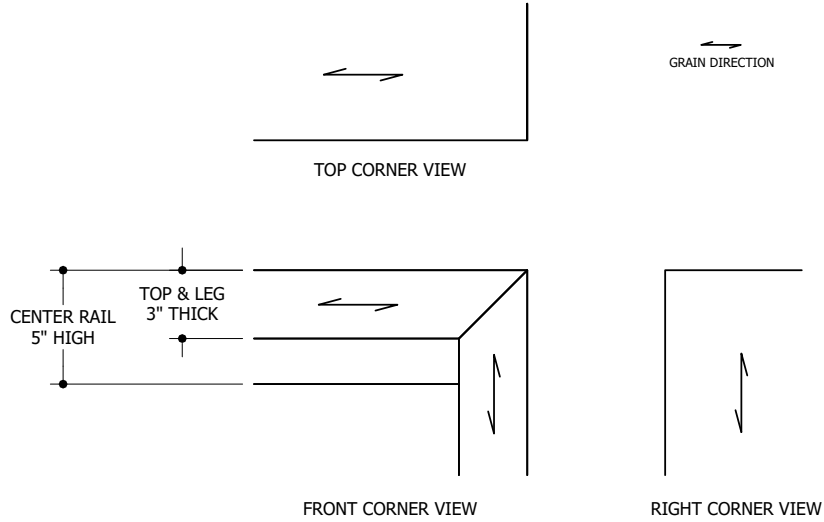
42H x 42D x 120W Waterfall Table (2-Piece)



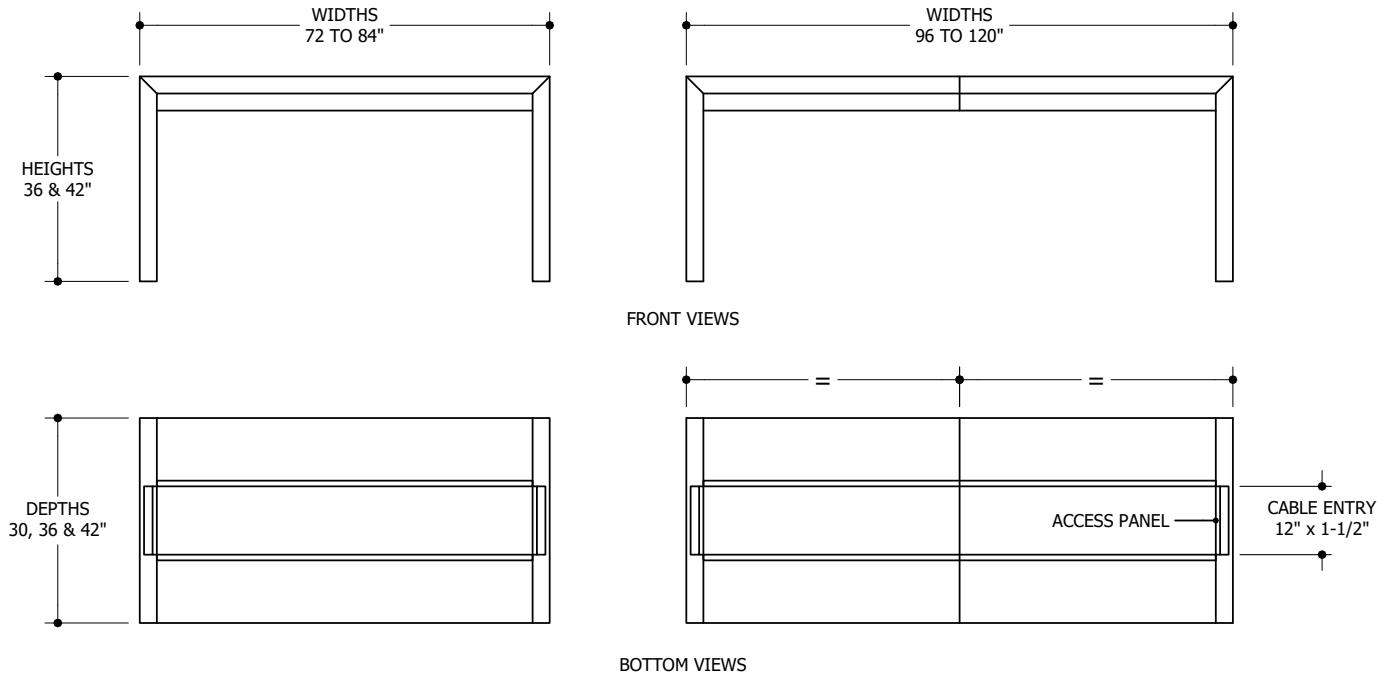
# General Specifications

## Waterfall Tables Table Construction

### Edge Profiles & Grain Direction



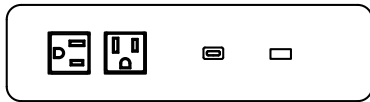
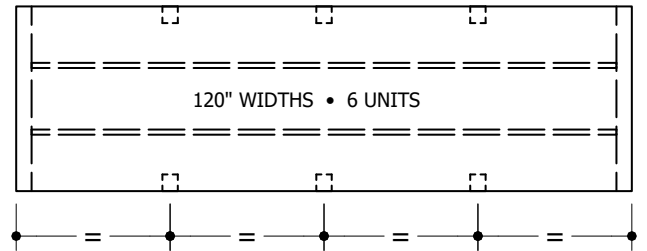
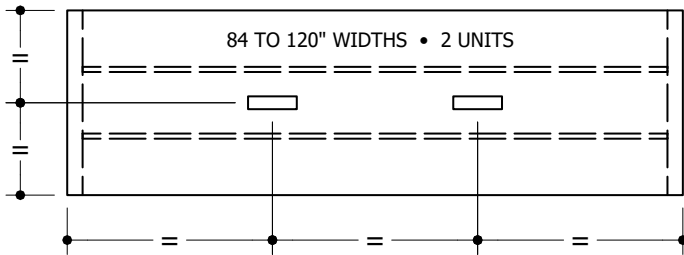
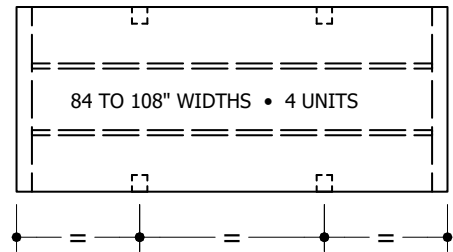
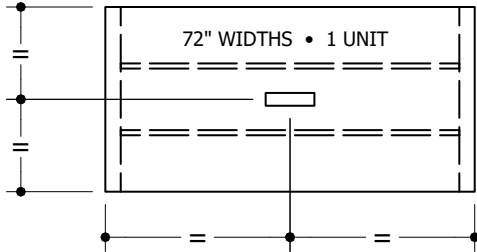
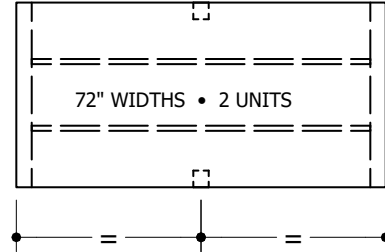
### Elevations, Splits & Cable Chase



# General Specifications

## Waterfall Tables Power & Connectivity

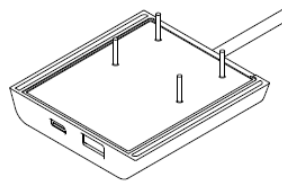
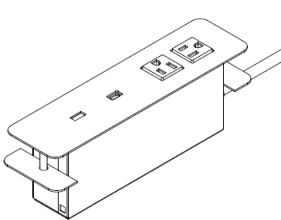
### Power Unit Locations & Quantities by Width



TOPMOUNT POWER  
AC + USB-A/C 60W



PERIMETER POWER  
USB-A/C 12\36W

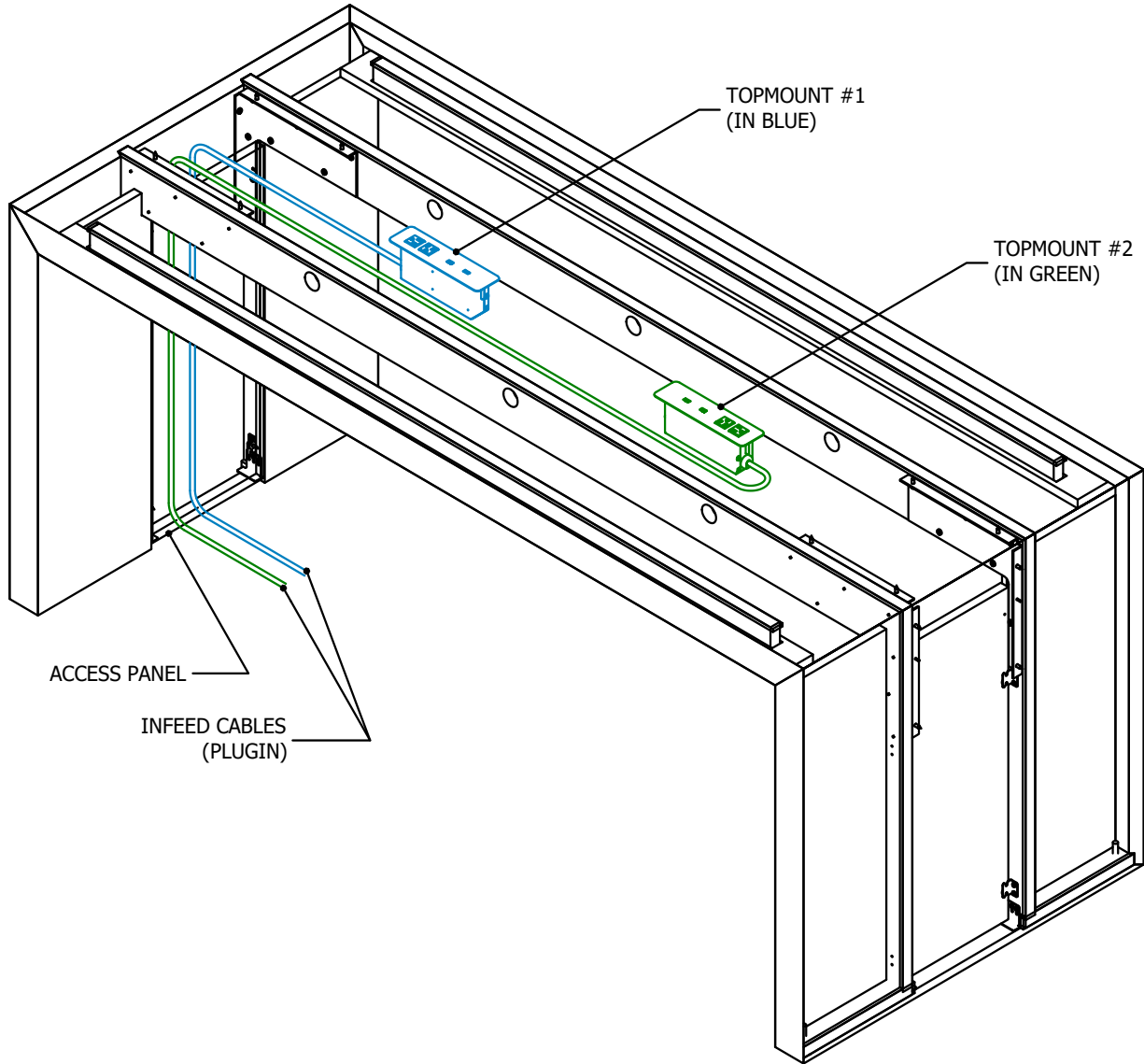


# General Specifications

## Waterfall Tables Power & Connectivity

---

### Topmount Cable Management w/ Power Connections at One End

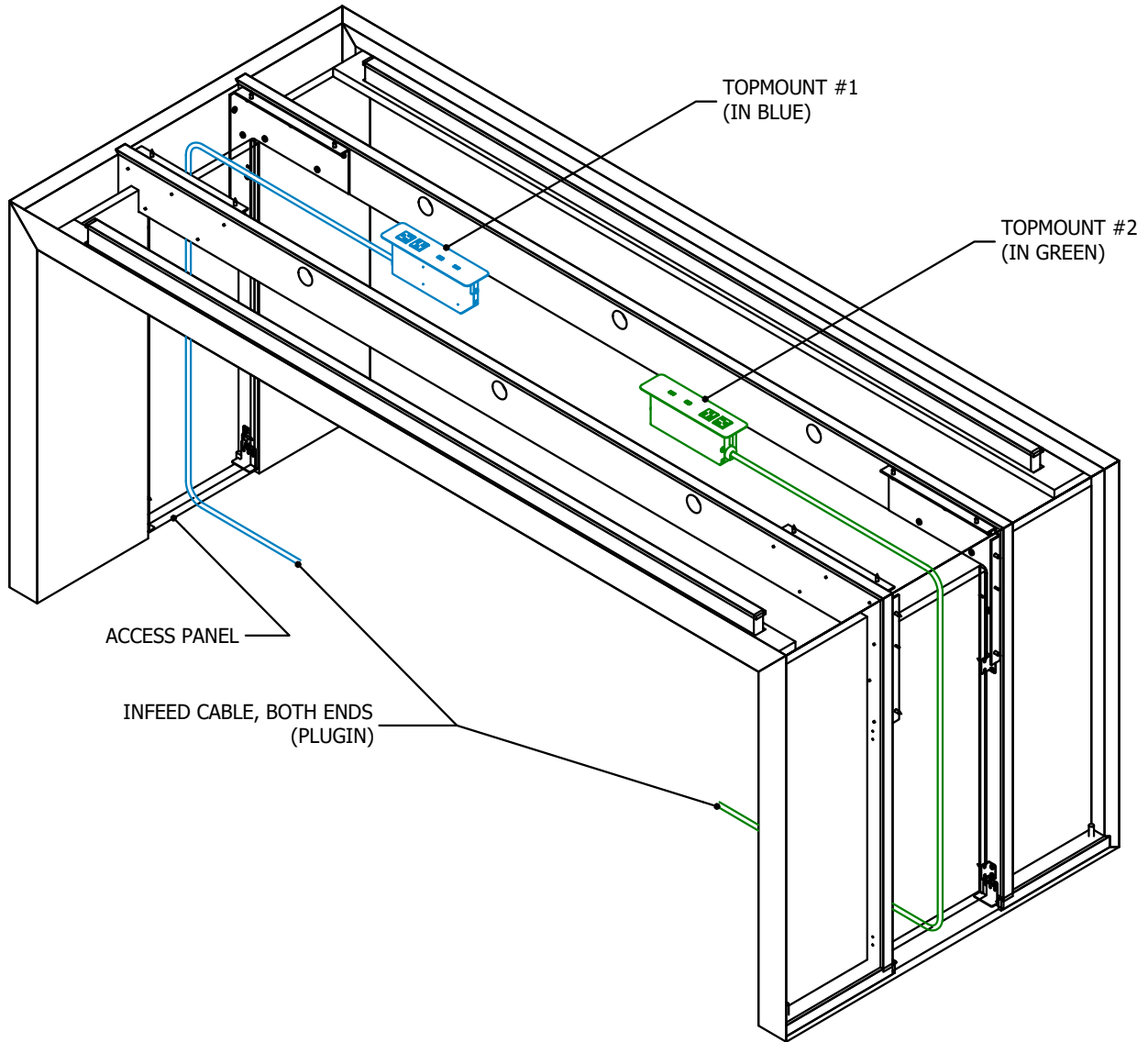


# General Specifications

## Waterfall Tables Power & Connectivity

---

### Topmount Cable Management w/ Power Connections at Both Ends

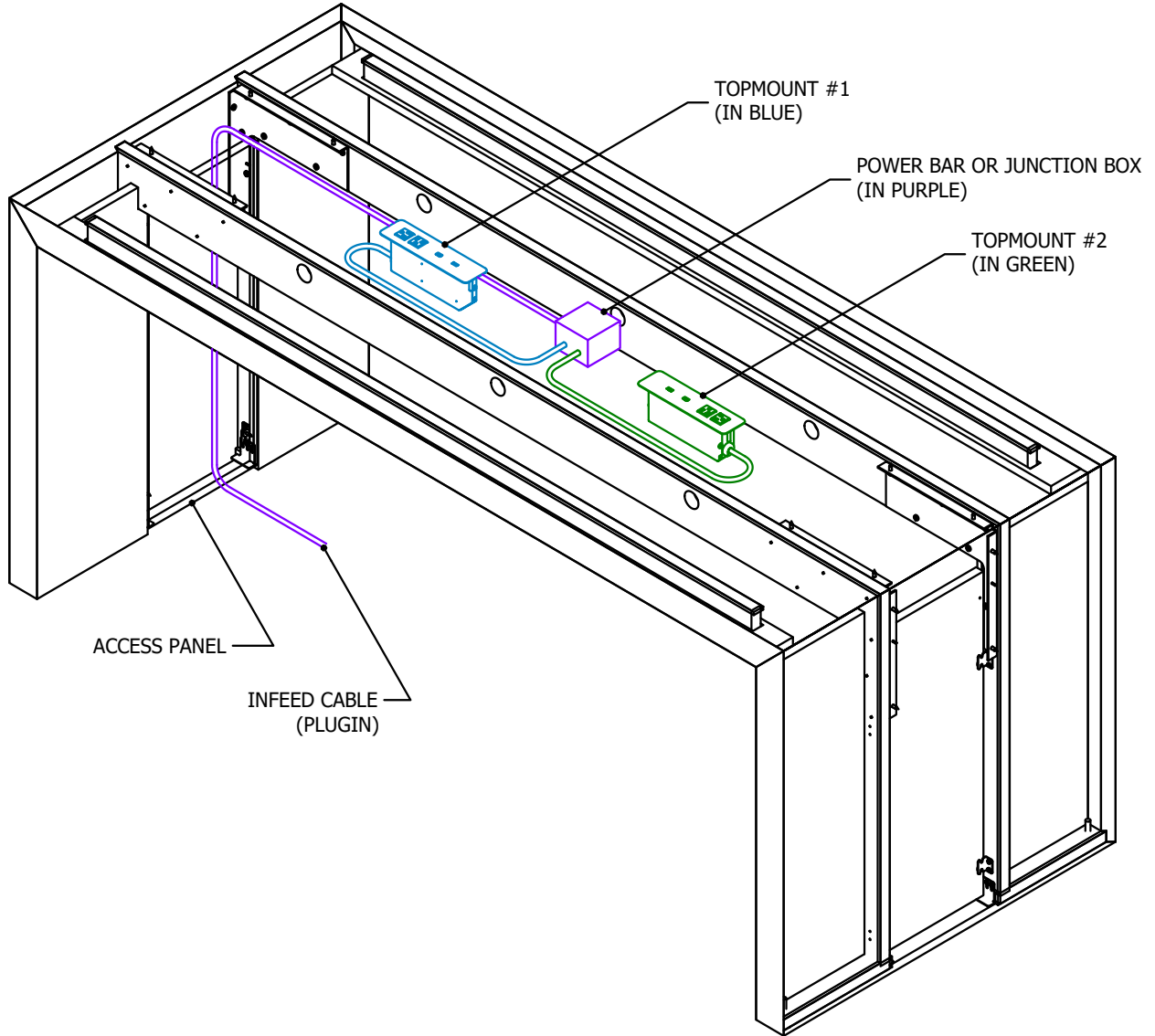


# General Specifications

## Waterfall Tables Power & Connectivity

---

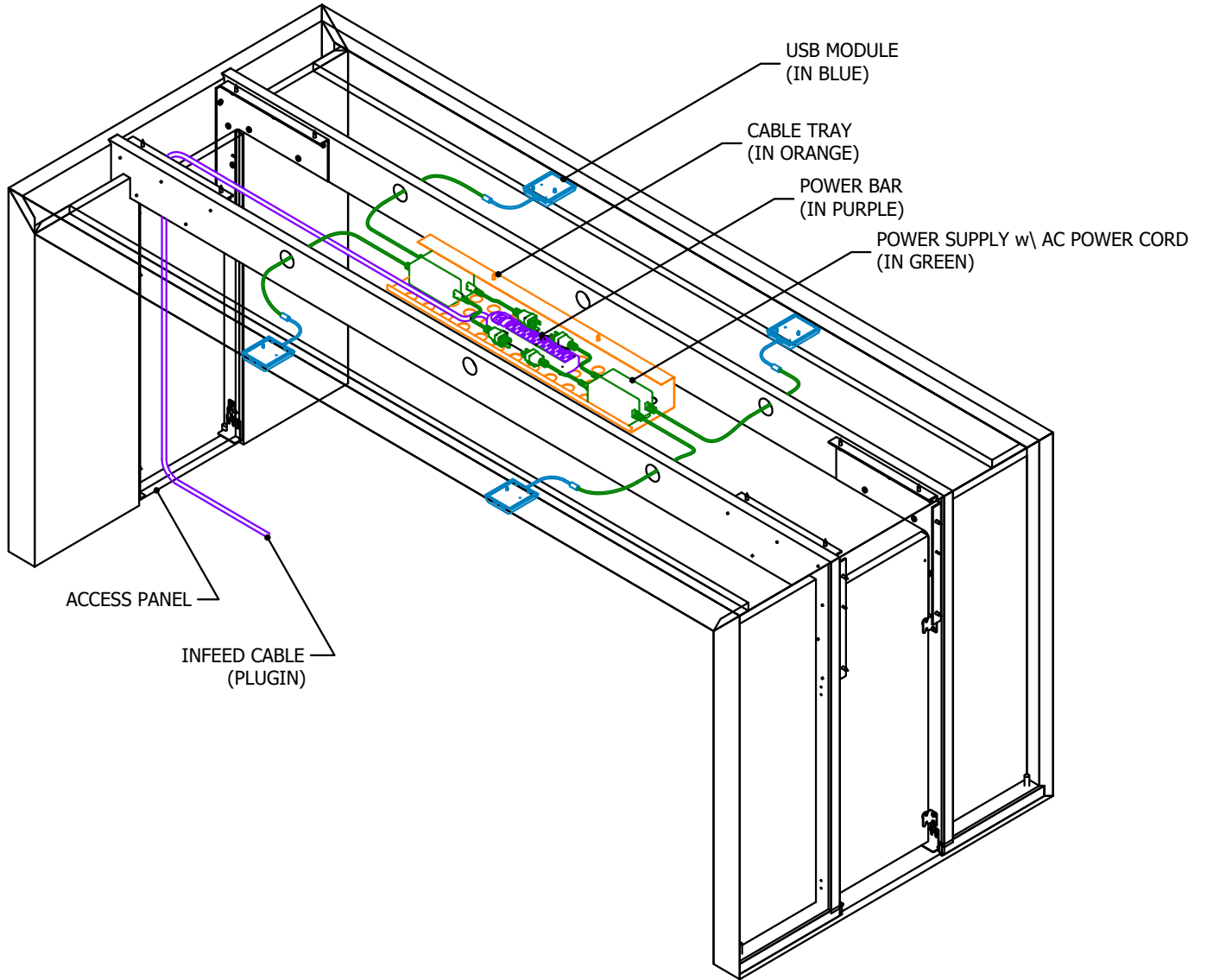
### Topmount Cable Management w/ Power Bar or Junction Box



# General Specifications

## Waterfall Tables Power & Connectivity

### Perimeter USB Cable Management

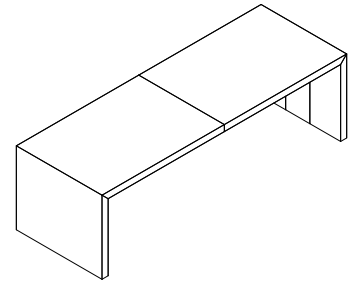
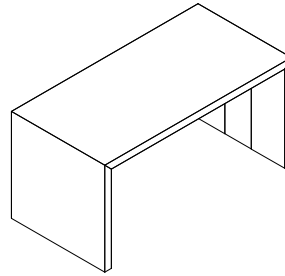






# Waterfall Tables

**30", 36" & 42" Deep, 36" High Counter Height**

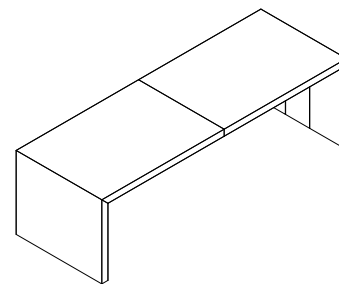
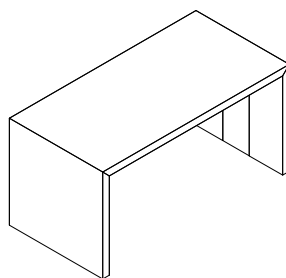


Type	D	W	H	Pattern No.	T1	T2
1 (72") Top	30"	72"	36"	<b>07WTM30X72V36</b>	\$10,816	\$11,465
1 (84") Top	30"	84"	36"	<b>07WTM30X84V36</b>	12,390	13,134
2 (48") Tops	30"	96"	36"	<b>07WTM30X96V36</b>	16,653	17,652
2 (54") Tops	30"	108"	36"	<b>07WTM30X108V36</b>	17,733	18,797
2 (60") Tops	30"	120"	36"	<b>07WTM30X120V36</b>	18,804	19,932
1 (72") Top	36"	72"	36"	<b>07WTM36X72V36</b>	12,759	13,525
1 (84") Top	36"	84"	36"	<b>07WTM36X84V36</b>	13,855	14,686
2 (48") Tops	36"	96"	36"	<b>07WTM36X96V36</b>	18,443	19,549
2 (54") Tops	36"	108"	36"	<b>07WTM36X108V36</b>	19,742	20,926
2 (60") Tops	36"	120"	36"	<b>07WTM36X120V36</b>	20,996	22,256
1 (72") Top	42"	72"	36"	<b>07WTM42X72V36</b>	14,059	14,903
1 (84") Top	42"	84"	36"	<b>07WTM42X84V36</b>	15,361	16,282
2 (48") Tops	42"	96"	36"	<b>07WTM42X96V36</b>	20,007	21,207
2 (54") Tops	42"	108"	36"	<b>07WTM42X108V36</b>	22,391	23,734
2 (60") Tops	42"	120"	36"	<b>07WTM42X120V36</b>	23,079	24,464

Order Code	Specification Information	Pricing Tiers	
Example: <b>07WTM30X72V36</b>	To order please specify pattern number including:	<b>T1</b> = Tier 1 veneer <b>T2</b> = Tier 2 veneer	Please refer to Materials and Finishes <a href="#">page 9</a> for specification details. Please refer to Accessories <a href="#">page 74</a> for specification details.
<b>07</b> JD Collection	1. Table (Veneer) finish: ( )		
<b>WTM</b> Waterfall Table	2. Power and connectivity: ( )		
<b>30X</b> Depth	3. Topmount Finish (If Required)		
<b>72</b> Width	<b>NP</b> No Power.		
<b>V</b> Veneer	<b>TMPI</b> Top-mount, Plug in.		
<b>36</b> Height	<b>PUPI</b> Perimeter USB Plug in.		

# Waterfall Media Tables

**30", 36" & 42" Deep, 42" High Bar Height**



Type	D	W	H	Pattern No.	T1	T2
1 (72") Top	30"	72"	42"	<b>07WTM30X72V42</b>	\$11,625	\$12,323
1 (84") Top	30"	84"	42"	<b>07WTM30X84V42</b>	12,462	13,210
2 (48") Tops	30"	96"	42"	<b>07WTM30X96V42</b>	16,806	17,815
2 (54") Tops	30"	108"	42"	<b>07WTM30X108V42</b>	17,852	18,923
2 (60") Tops	30"	120"	42"	<b>07WTM30X120V42</b>	18,952	20,089
1 (72") Top	36"	72"	42"	<b>07WTM36X72V42</b>	12,958	13,735
1 (84") Top	36"	84"	42"	<b>07WTM36X84V42</b>	14,334	15,194
2 (48") Tops	36"	96"	42"	<b>07WTM36X96V42</b>	18,637	19,755
2 (54") Tops	36"	108"	42"	<b>07WTM36X108V42</b>	19,931	21,127
2 (60") Tops	36"	120"	42"	<b>07WTM36X120V42</b>	21,181	22,452
1 (72") Top	42"	72"	42"	<b>07WTM42X72V42</b>	14,293	15,151
1 (84") Top	42"	84"	42"	<b>07WTM42X84V42</b>	15,587	16,523
2 (48") Tops	42"	96"	42"	<b>07WTM42X96V42</b>	20,464	21,692
2 (54") Tops	42"	108"	42"	<b>07WTM42X108V42</b>	22,129	23,457
2 (60") Tops	42"	120"	42"	<b>07WTM42X120V42</b>	23,149	24,538

Order Code	
Example: <b>07WTM30X72V42</b>	
<b>07</b>	JD Collection
<b>WTM</b>	Waterfall Table
<b>30X</b>	Depth
<b>72</b>	Width
<b>V</b>	Veneer
<b>42</b>	Height

**Specification Information**

To order please specify pattern number including:

1. Table (Veneer) finish: ( )
2. Power and connectivity: ( )
3. Topmount Finish (If Required)

**NP** No Power.  
**TMPI** Top-mount, Plug in.  
**PUPI** Perimeter USB Plug in.

**Pricing Tiers**

**T1** = Tier 1 veneer  
**T2** = Tier 2 veneer

Please refer to Materials and Finishes [page 9](#) for specification details. Please refer to Accessories [page 74](#) for specification details.



# JD Collection Credenzas



**DATESWEISER**

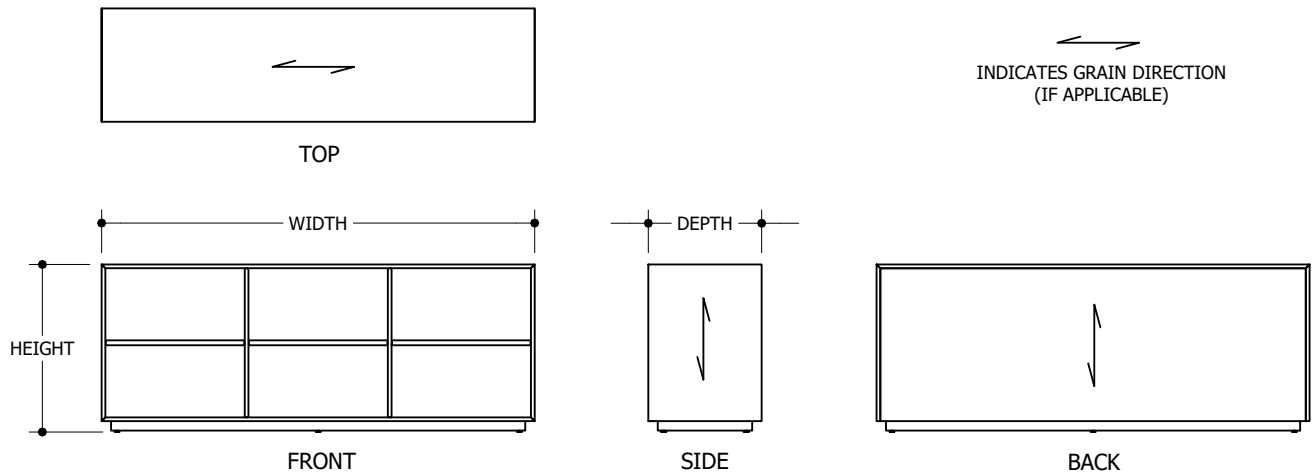
# General Specifications

## Credenzas Product Overview

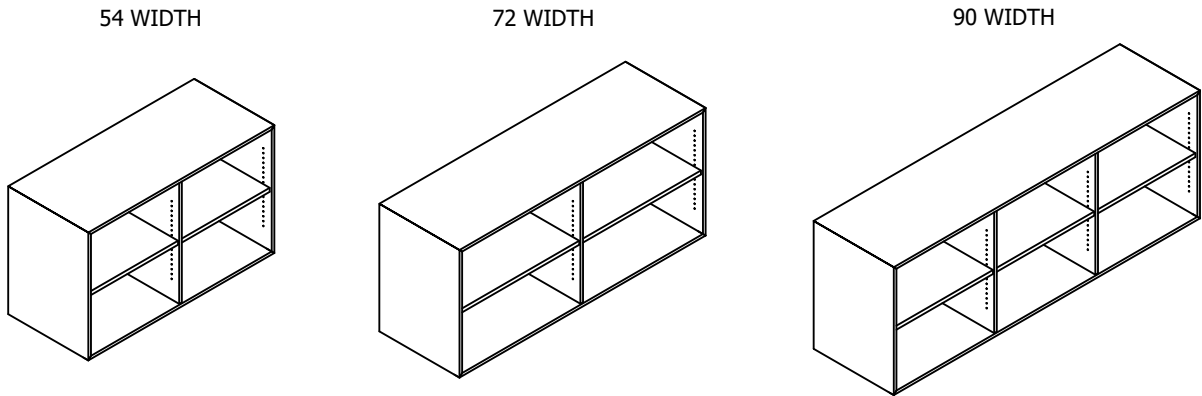
**Note:**

Line drawings in this price list are purely for quick product identification without form of detail and cannot be used to satisfy production dimensions, shape or support options. Refer to Planning Guide for detailed product information.

### BOOKCASE CREDENZA MATRIX



BOOKCASE ELEVATION SPECIFICATIONS



BOOKCASE CONFIGURATIONS

# General Specifications

## Credenzas

### Product Overview

---

#### Bookcase Construction Notes:

Top and end panels are 3/4" thick wood panels with butt-jointed corners.

Bottom panel is a 3/4" thick wood panel that is butt-jointed to the end panels.

Back panel is a 3/4" thick inset wood panel.

Back panel is picture-framed by the top and end panels exposing the butt-jointed corners while the bottom panel set back and hidden from view behind the back panel.

Vertical divider panels are 3/4" thick wood panels.

Shelves are 1" thick wood panels and adjustable in 32 mm (1-1/4") increments with a nominal minimum clearance of 6" on top or bottom.

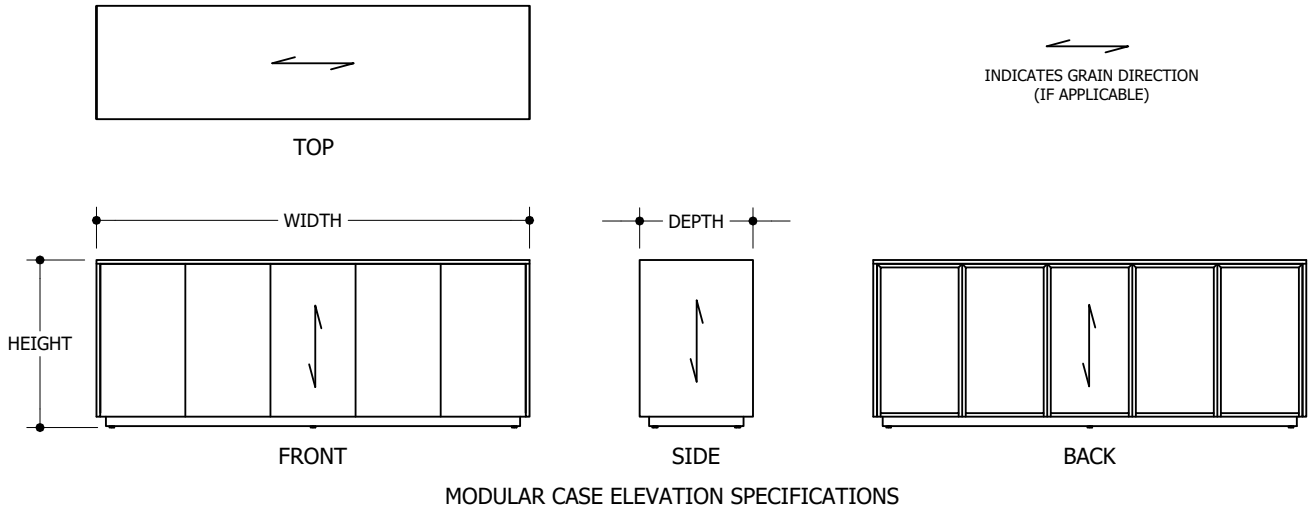
Bases are 2" high wood panels recessed 2" on all sides.

All components finished to match in either a veneer or satin lacquer finish.

# General Specifications

## Credenzas Product Overview

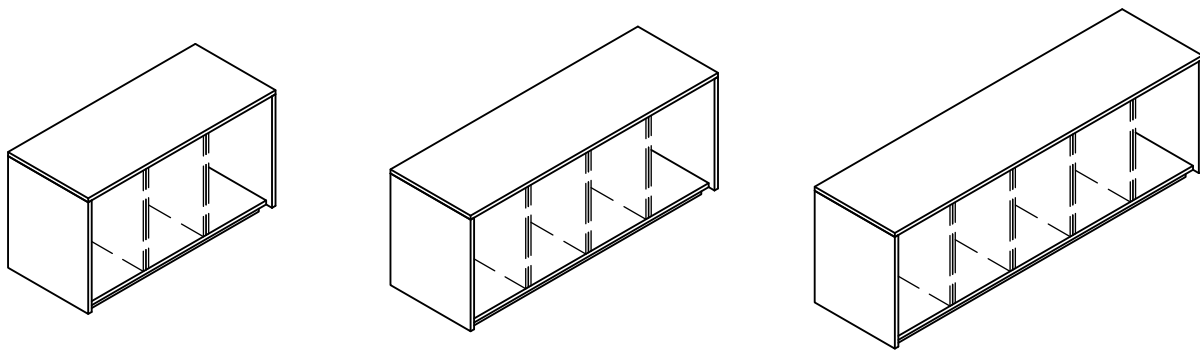
### MODULAR CREDENZA CASE MATRIX



54, 60 & 66 WIDTHS  
(3 INSERTS)

72, 78 & 84 WIDTHS  
(4 INSERTS)

90, 96 & 102 WIDTHS  
(5 INSERTS)



MODULAR CREDENZA CONFIGURATIONS



# General Specifications

## Credenzas

### Product Overview

---

#### Modular Case Construction Notes:

Top and end panels are 3/4" thick wood panels with butt-jointed corners.

Bottom panel is a 3/4" thick wood panel that is butt-jointed to the end panels.

Bottom Panel is recessed and hidden behind drawer and door fronts.

Back panel is a 3/4" thick inset wood panel, picture-framed by the top and end panels exposing the butt-jointed corners while the bottom panel is set back and hidden from view behind the back panel.

Bases are 2" high wood panels recessed 2" on all sides.

A\V Rack and/or Cool Drawer 24" wide insert positions are equipped with an 18" wide x 19" high cutout in the back panel as well as two 6" wide x 1" deep grommets along the front edge of the bottom panel for ventilation.

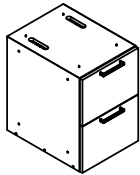
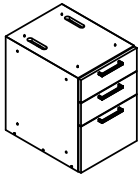
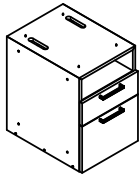
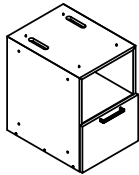
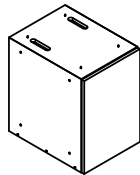
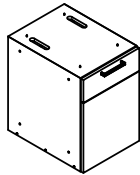
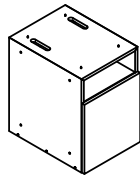
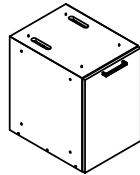
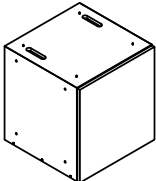
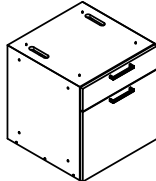
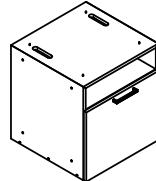
All components finished to match in either a veneer or satin lacquer finish.

# General Specifications

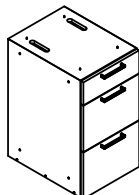
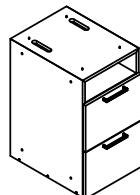
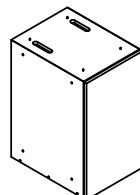
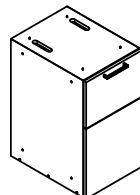
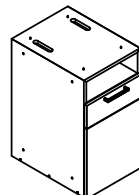
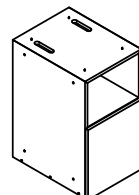
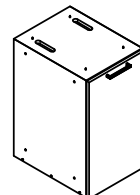
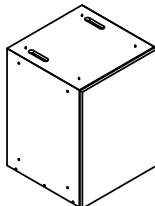
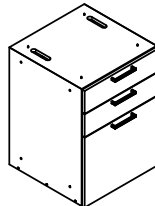
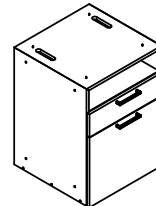
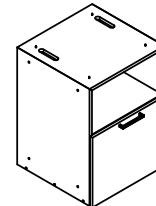
## Credenzas Product Overview

### MODULAR CREDENZA INSERT MATRIX

#### 29 HIGH MODULAR CREDENZA INSERT CONFIGURATIONS

							
18FFMB	18FBBMB	18FBOMB	18FOMB	18HL 18HR	18HBLMB 18HBRMB	18HOL 18HOR	18TMB
FILE DRAWER FILE DRAWER	BOX DRAWER BOX DRAWER FILE DRAWER	OPEN SHELF BOX DRAWER FILE DRAWER	OPEN SHELF FILE DRAWER	HINGE DOOR *	BOX DRAWER HINGE DOOR *	OPEN SHELF HINGE DOOR *	PULL-OUT TRASH
  							
24AL 24AR AV HINGE DOOR *							
24CBMB BOX DRAWER FRIDGE DRAWER							
24COMB OPEN SHELF FRIDGE DRAWER							

#### 35 HIGH MODULAR CREDENZA INSERT CONFIGURATIONS

						
18FFBMB	18FFOMB	18HL 18HR	18HFL 18HFR	18HBOLMB 18HBORMB	18HOL 18HOR	18TMB
BOX DRAWER FILE DRAWER FILE DRAWER	OPEN SHELF FILE DRAWER FILE DRAWER	HINGE DOOR *	FILE DRAWER HINGE DOOR *	OPEN SHELF BOX DRAWER HINGE DOOR *	OPEN SHELF HINGE DOOR *	PULL-OUT TRASH
   						
24AL 24AR AV HINGE DOOR						
24CBBMB BOX DRAWER BOX DRAWER FRIDGE DRAWER						
24CBOMB OPEN SHELF BOX DRAWER FRIDGE DRAWER						
24COMB OPEN SHELF FRIDGE DRAWER						

# General Specifications

## Credenzas

### Product Overview

---

#### Insert Construction Notes:

End panels are 3/4" thick wood panels.

Horizontal divider panels are 3/4" thick wood panels.

Shelves are 1" thick wood panels and adjustable in 32 mm (1-1/4") increments with a nominal minimum clearance of 6" on top or bottom.

Drawer and door fronts are 3/4" thick wood panels.

Drawers constructed using 1/2" thick wood panels for the front, back and sides with a 3/16" thick wood bottom.

File and box drawers run on fully concealed, under-mounted, full-extension, soft-closing slides rated for 110 pounds per pair.

Drawers and pull-out trash are equipped with pulls.

Hinged doors use 110° free-swing hinges with touch-latch and no pulls.

Fronts are inset 1/4" from the front of the case, creating an iconic and unique aesthetic detail.

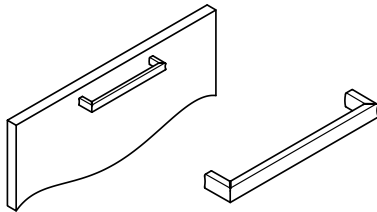
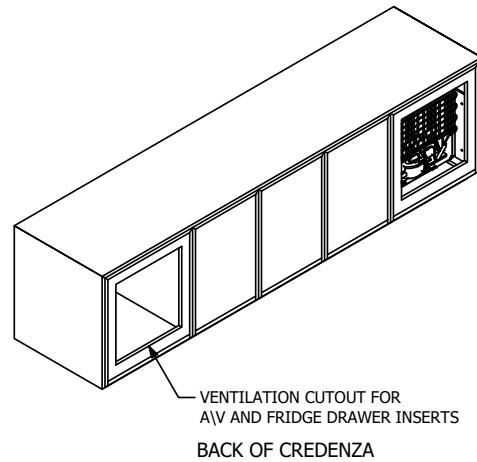
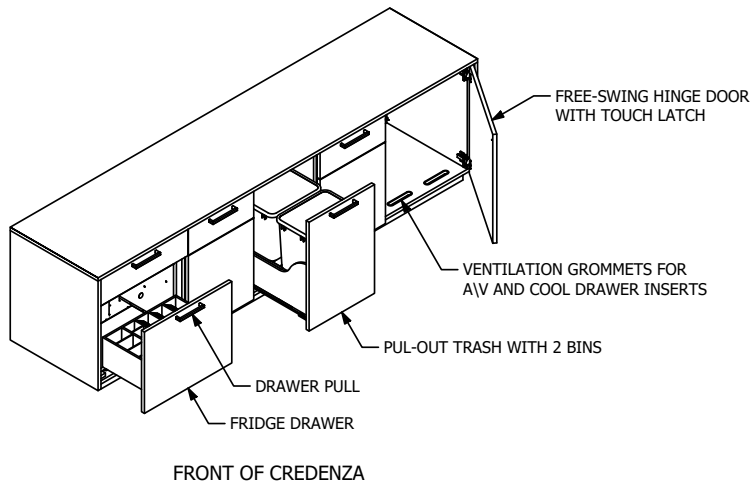
Interior components are finished to match the case in a veneer or satin lacquer finish.

Fronts can be specified with a different veneer or satin lacquer finish than the case.

# General Specifications

## Credenzas Product Overview

### CREDENZA KEY FEATURES



#### MITRED DRAWER PULL (MB)

##### AVAILABLE FINISHES:

- BRUSHED NICKLE (HBN)
- MATT BLACK (HMB)

##### DIMENSIONS:

- 6-5/8" WIDE x 1-1/8" DEEP x 1/2" HIGH

##### MOUNTING LOCATION ON DRAWERS AND DOORS:

- CENTRED ON WIDTH
- 1" DOWN FROM TOP OF FRONT TO CENTRE OF PULL



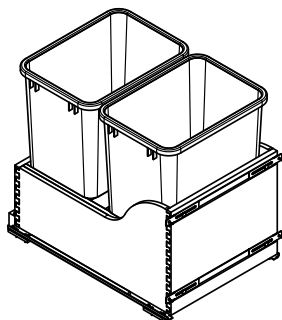
#### FRIDGE DRAWER

SIZE CAPACITY OF 42L (1.48 Cu. Ft.) WITH 2 TRAYS...

- LARGE (LOWER) TRAY CAN HANDLE ITEMS SUCH AS BOTTLES AND CANS.
- SMALL (UPPER) TRAY IS PERFECT FOR SMALLER ITEMS LIKE MINI BOTTLES OR CONDIMENT PACKETS.

MAXIMUM COOLING CAPACITY OF 40°C (104°F)

REQUIRES A 120V CONNECTION FOR POWER.



#### PULL-OUT TRASH

EQUIPPED WITH TWO 35-QUART WASTE CONTAINERS THAT RUN ON FULL-EXTENSION, SOFT-CLOSING SLIDES.

WOOD BOTTOM CONSTRUCTED USING 1/2" MAPLE PANELS.

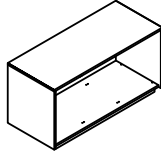
TRASH BINS ARE CONSTRUCTED OF A BLACK POLYMER MATERIAL.

# General Specifications

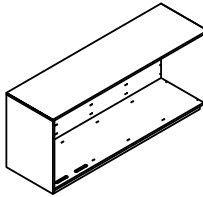
## Credenzas Product Overview

### SPECIFYING MODULAR CREDENZAS

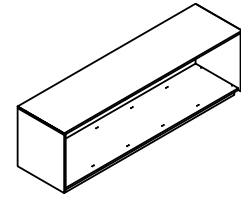
STEP 1: THE CASE  
SELECT HEIGHT AND WIDTH OPTIONS



07CRM292456  
29H x 24D x 56W CREDENZAS CASE



07CRM352480L  
35H x 24D x 86W CREDENZAS CASE  
w\ 24W VENTED POSITION ON LEFT



07CRM292492  
29H x 24D x 92W CREDENZAS CASE

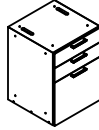
STEP 2: THE INSERTS  
SELECT DESIRED CONFIGURATION



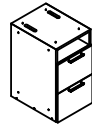
18FBBMB  
FILE\BOX\BOX  
QTY 2



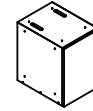
18FBOMB  
FILE\BOX\OPEN  
QTY 1



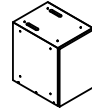
24CBBMB  
FRIDGE\BOX\BOX  
QTY 1



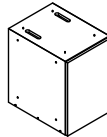
18FFOMB  
FILE\FILE\OPEN  
QTY 2



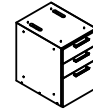
18HL  
HINGE DOOR LEFT  
QTY 1



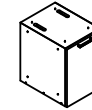
18HR  
HINGE DOOR RIGHT  
QTY 1



18HR  
HINGE DOOR RIGHT  
QTY 1

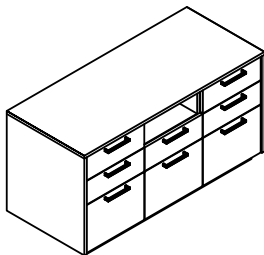


18FBBMB  
FILE\BOX\BOX  
QTY 2

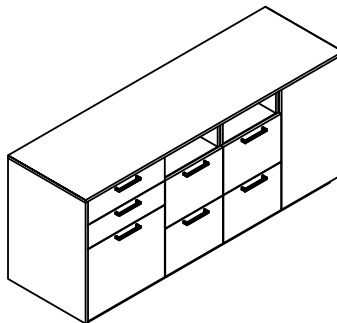


18TMB  
PULL-OUT TRASH  
QTY 1

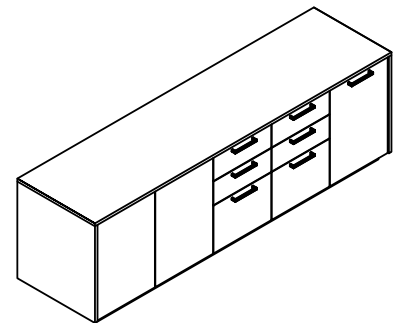
STEP 3: THE PRODUCT  
CREDENZAS IS NOW FULLY SPECIFIED



07CRM292456-18FBBMB-18FBOMB-18FBBMB  
29H x 24D x 56W CREDENZAS ASSEMBLY



07CRM352480L-24CBBMB-18FFOMB-18FFOMB-18HR  
35H x 24D x 86W CREDENZAS ASSEMBLY



07CRM292492-18HL-18HR-18FBBMB-18FBBMB-18TMB  
29H x 24D x 92W CREDENZAS ASSEMBLY

# General Specifications

## Credenzas

### Product Overview

---

#### Application Notes

All credenzas are equipped with floor levelers to level the credenza.

No assembly required. All credenzas are shipped fully assembled.

Coordinate AV requirements with the interior overall clearance dimensions provided below to ensure proper fit. Consult with your AV contractor for specific component requirements. Custom solutions are available upon request.

For 29 high x 24" wide credenza insert:

25-1/16" height x 22-3/8" width x 21-15/16" depth

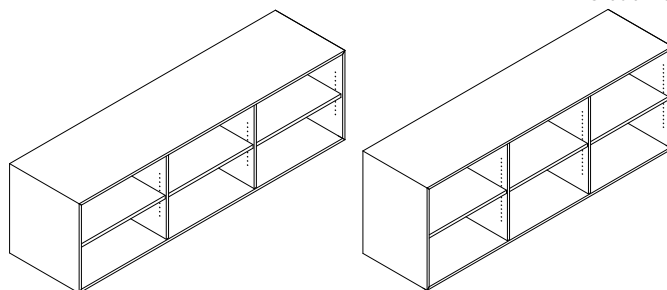
For 35 high x 24" wide credenza insert:

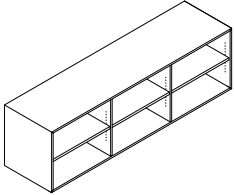
31-1/2" height x 22-3/8" width x 21-15/16" depth

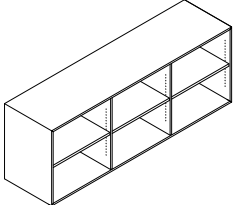
# Bookcase

29" and 35" High

Credenzas



Description	Type	D	W	H	Pattern No.	Painted	T1	T2
 Bookcase, 29" High	56" Wide	24"	55 3/4"	29"	<b>07CRB292456</b>	\$5,515	\$7,354	\$9,084
	74" Wide	24"	73 3/4"	29"	<b>07CRB292474</b>	6,436	8,590	10,773
	92" Wide	24"	91 3/4"	29"	<b>07CRB292492</b>	7,357	9,818	12,471

 Bookcase, 35" High	56" Wide	24"	55 3/4"	35"	<b>07CRB352456</b>	6,003	7,970	9,882
	74" Wide	24"	73 3/4"	35"	<b>07CRB352474</b>	7,066	9,367	11,793
	92" Wide	24"	91 3/4"	35"	<b>07CRB352492</b>	8,130	10,775	13,700

### Order Code

Example:	<b>07CRB292456</b>
<b>07</b>	JD Collection
<b>CR</b>	Credenza
<b>B</b>	Bookcase
<b>29</b>	29" High
<b>24</b>	24" Deep
<b>56</b>	56" Wide

### Specification Information

To order please specify pattern number including:  
1. Case finish

### Pricing Tiers

Painted Case  
**T1** = Tier 1 veneer case  
**T2** = Tier 2 veneer case

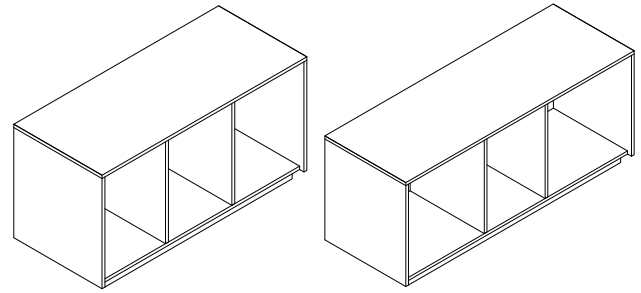
### Application Notes

Construction:  
Top and end panels are 3/4" thick wood panels with butt-jointed corners.  
Bottom panel is a 3/4" thick wood panel that is butt-jointed to the end panels.  
Back panel is a 3/4" thick inset wood panel.  
Back panel is picture-framed by the top and end panels exposing the butt-jointed corners while the bottom panel set back and hidden from view behind the back panel.

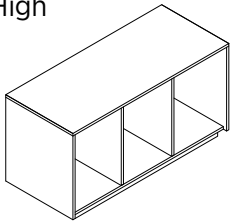
Vertical divider panels are 3/4" thick wood panels.  
Shelves are 1" thick wood panels and adjustable in 32 mm (1 1/4") increments with a nominal minimum clearance of 6" on top or bottom.  
Bases are 2" high wood panels recessed 2" on all sides.  
All components finished to match in either a veneer or satin lacquer finish.

# 3 Position Credenzas

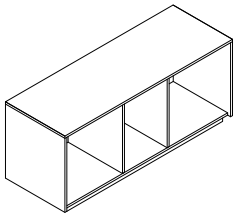
29" High



Description	Type	D	W	H	Pattern No.	Painted	T1	T2
3 Positions with File Drawer, Hinge Door, Pull Out-Trash & Box Drawers configuration options, 29" High	3 x 18" wide inserts	24"	55 3/4"	29"	<b>07CRM292456</b>	\$5,151	\$6,613	\$7,747



3 Positions with AV Hinge door, Refrigerator Drawer, File Drawer, Hinge Door, Pull Out-Trash and Box Drawers configuration options, 29" High	1 x 18" insert & 2 x 24" w insert on both ends	24"	67 3/4"	29"	<b>07CRM292468</b>	5,683	7,276	8,589
	2 x 18" insert & 1 x 24" w insert on the left	24"	61 3/4"	29"	<b>07CRM292462L</b>	5,422	6,941	8,164
	2 x 18" insert & 1 x 24" w insert on the right	24"	61 3/4"	29"	<b>07CRM292462R</b>	5,422	6,941	8,164

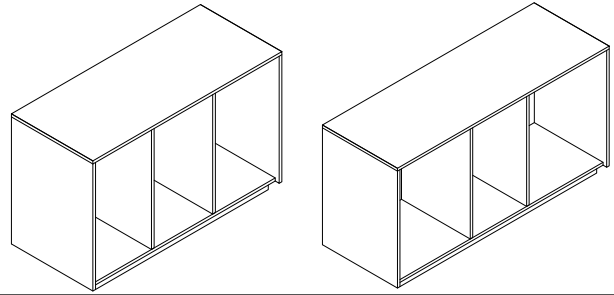


Order Code	Specification Information	Pricing Tiers	
Example: <b>07CRM292456</b>	To order please specify pattern number including:	Painted Case	Note that the credenzas are priced as modular components. The prices listed above are the case prices. The inserts are priced separately. Please refer to <a href="#">page 70-73</a> for insert pricing.
<b>07</b> JD Collection	1. Case finish	<b>T1</b> = Tier 1 veneer case	
<b>CR</b> Credenza	2. Front finish	<b>T2</b> = Tier 2 veneer case	
<b>M</b> Modular	3. Position 1/2/3 insert configuration	Pull Finish Options:	
<b>29</b> 29" High	4. Pull Finish	HBN = Brushed Nickel	
<b>24</b> 24" Deep		HMB = Matt Black	
<b>56</b> 56" Wide			

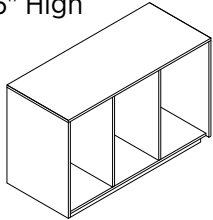


# 3 Position Credenzas

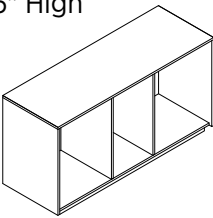
**35" High**



Description	Type	D	W	H	Pattern No.	Painted	T1	T2
3 Positions with File Drawer, Hinge Door, Pull Out-Trash & Box Drawers configuration options, 35" High	3 x 18" wide inserts	24"	55 3/4"	35"	<b>07CRM352456</b>	\$5,590	\$7,145	\$8,405



3 Positions with AV Hinge door, Refrigerator Drawer, File Drawer, Hinge Door, Pull Out-Trash and Box Drawers configuration options, 35" High	1 x 18" insert & 2 x 24"w insert on both ends	24"	67 3/4"	35"	<b>07CRM352468</b>	6,210	7,901	9,349
	2 x 18" insert & 1 x 24"w insert on the left	24"	61 3/4"	35"	<b>07CRM352462L</b>	5,904	7,527	8,877
	2 x 18" insert & 1 x 24"w insert on the right	24"	61 3/4"	35"	<b>07CRM352462R</b>	5,904	7,527	8,877



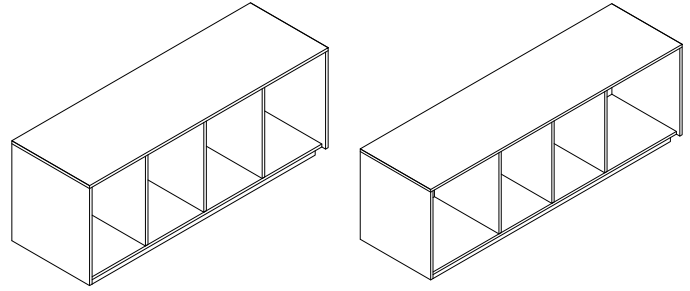
### Application Notes

Construction:  
 Top and end panels are 3/4" thick wood panels with butt-jointed corners.  
 Bottom panel is a 3/4" thick wood panel that is butt-jointed to the end panels.  
 Back panel is a 3/4" thick inset wood panel.  
 Back panel is picture-framed by the top and end panels exposing the butt-jointed corners while the bottom panel set back and hidden from view behind the back panel.

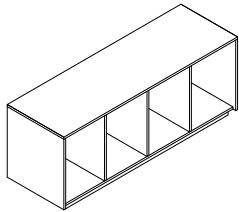
Bases are 2" high wood panels recessed 2" on all sides.  
 A/V Rack and/or Cool Drawer 24" wide insert positions are equipped with an 18" wide x 19" high cutout in the back panel as well as two 6" wide x 1" deep grommets along the front edge of the bottom panel for ventilation.  
 All components finished to match in either a veneer or satin lacquer finish.

# 4 Position Credenza

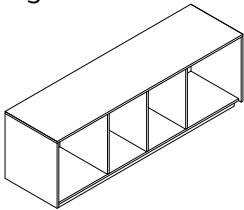
## 29" High



Description	Type	D	W	H	Pattern No.	Painted	T1	T2
4 Positions with File Drawer, 4 x 18" wide inserts Hinge Door, Pull Out-Trash & Box Drawers configuration options, 29" High		24"	73 3/4"	29"	<b>07CRM292474</b>	\$5,950	\$7,604	\$9,018



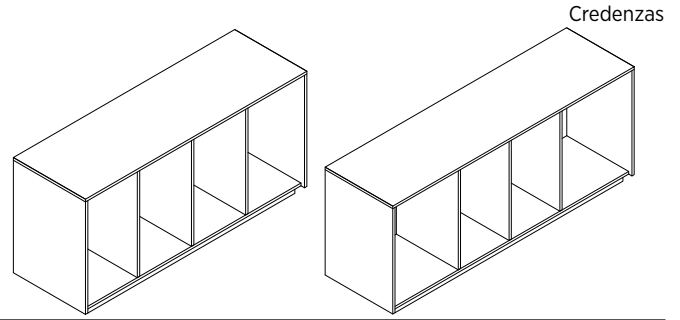
4 Positions with AV Hinge door, Refrigerator Drawer, File Drawer, Hinge Door, Pull Out-Trash and Box Drawers configuration options, 29" High	2 x 18" insert & 2 x 24"w insert on both ends	24"	85 3/4"	29"	<b>07CRM292486</b>	6,489	8,264	9,853
	3 x 18" insert & 1 x 24"w insert on the left	24"	79 3/4"	29"	<b>07CRM292480L</b>	6,225	7,440	9,431
	3 x 18" insert & 1 x 24"w insert on the right	24"	79 3/4"	29"	<b>07CRM292480R</b>	6,225	7,440	9,431



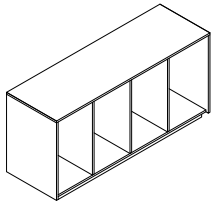
Order Code	Specification Information	Pricing Tiers	
Example: <b>07CRM292474</b>	To order please specify pattern number including:	Painted Case	Note that the credenzas are priced as modular components. The prices listed above are the case prices. The inserts are priced separately. Please refer to <a href="#">page 70-73</a> for insert pricing.
<b>07</b> JD Collection	1. Case finish	<b>T1</b> = Tier 1 veneer case	
<b>CR</b> Credenza	2. Front finish	<b>T2</b> = Tier 2 veneer case	
<b>M</b> Modular	3. Position 1/2/3/4 insert configuration	Pull Finish Options:	
<b>29</b> 29" High	4. Pull Finish	HBN = Brushed Nickel	
<b>24</b> 24" Deep	Positions are specified left to right.	HMB = Matt Black	
<b>56</b> 74" Wide			

# 4 Position Credenzas

**35" High**



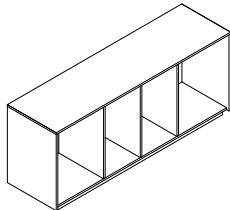
Description	Type	D	W	H	Pattern No.	Painted	T1	T2
4 Positions with File Drawer, Hinge Door, Pull Out-Trash & Box Drawers configuration options, 35" High	4 x 18" wide inserts	24"	73 3/4"	35"	<b>07CRM352474</b>	\$6,491	\$8,271	\$9,824



4 Positions with AV Hinge door, Refrigerator Drawer, File Drawer, Hinge Door, Pull Out-Trash and Box Drawers configuration options, 35" High	2 x 18" insert & 2 x 24"w insert on both ends	24"	85 3/4"	35"	<b>07CRM352486</b>	7,148	9,043	10,785
--	---	-----	---------	-----	--------------------	-------	-------	--------

3 x 18" insert & 1 x 24"w insert on the left	24"	79 3/4"	35"	<b>07CRM352480L</b>	6,833	8,657	10,310
--	-----	---------	-----	---------------------	-------	-------	--------

3 x 18" insert & 1 x 24"w insert on the right	24"	79 3/4"	35"	<b>07CRM352480R</b>	6,833	8,657	10,310
---	-----	---------	-----	---------------------	-------	-------	--------



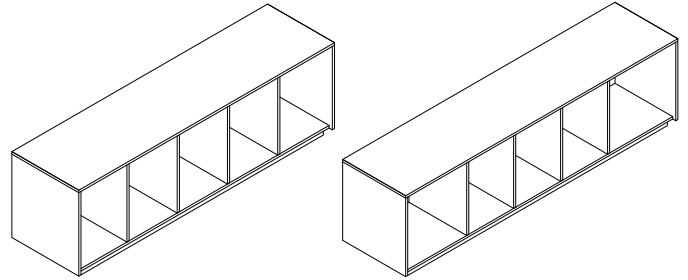
### Application Notes

Construction:  
 Top and end panels are 3/4" thick wood panels with butt-jointed corners.  
 Bottom panel is a 3/4" thick wood panel that is butt-jointed to the end panels.  
 Back panel is a 3/4" thick inset wood panel.  
 Back panel is picture-framed by the top and end panels exposing the butt-jointed corners while the bottom panel set back and hidden from view behind the back panel.

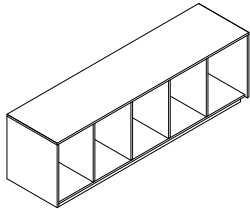
Bases are 2" high wood panels recessed 2" on all sides.  
 A/V Rack and/or Cool Drawer 24" wide insert positions are equipped with an 18" wide x 19" high cutout in the back panel as well as two 6" wide x 1" deep grommets along the front edge of the bottom panel for ventilation.  
 All components finished to match in either a veneer or satin lacquer finish.

# 5 Position Credenza

## 29" High

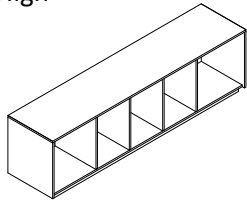


Description	Type	D	W	H	Pattern No.	Painted	T1	T2
5 Positions with File Drawer, Hinge Door, Pull Out-Trash & Box Drawers configuration options, 29" High	5 x 18" wide inserts	24"	91 3/4"	29"	<b>07CRM292492</b>	\$6,760	\$8,598	\$10,283



5 Positions with AV Hinge door, Refrigerator Drawer, File Drawer, Hinge Door, Pull Out-Trash and Box Drawers configuration options, 29" High

3 x 18" insert & 2 x 24" w insert on both ends	24"	103 3/4"	29"	<b>07CRM2924104</b>	7,288	9,250	11,122
4 x 18" insert & 1 x 24" w insert on the left	24"	97 3/4"	29"	<b>07CRM292498L</b>	7,023	8,924	10,704
4 x 18" insert & 1 x 24" w insert on the right	24"	97 3/4"	29"		7,023	8,924	10,704



Order Code	
Example: <b>07CRM292492</b>	
<b>07</b>	JD Collection
<b>CR</b>	Credenza
<b>M</b>	Modular
<b>29</b>	29" High
<b>24</b>	24" Deep
<b>92</b>	92" Wide

**Specification Information**

To order please specify pattern number including:

1. Case finish
2. Front finish
3. Position 1/2/3/4/5 insert configuration
4. Pull Finish

Positions are specified left to right.

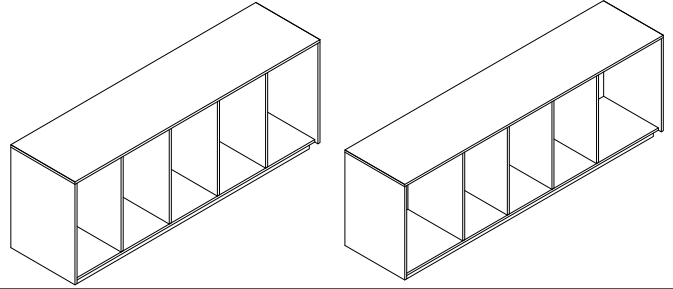
**Pricing Tiers**

Painted Case  
**T1** = Tier 1 veneer case  
**T2** = Tier 2 veneer case  
 Pull Finish Options:  
 HBN = Brushed Nickel  
 HMB = Matt Black

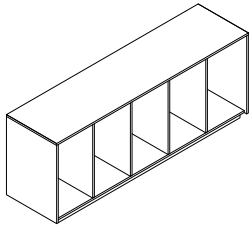
Note that the credenzas are priced as modular components. The prices listed above are the case prices. The inserts are priced separately. Please refer to [page 70-73](#) for insert pricing.

# 5 Position Credenzas

**35" High**

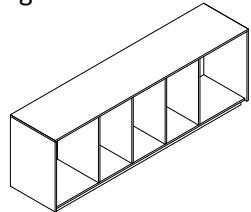


Description	Type	D	W	H	Pattern No.	Painted	T1	T2
5 Positions with File Drawer, Hinge Door, Pull Out-Trash & Box Drawers configuration options, 35" High	5 x 18" wide inserts	24"	91 3/4"	35"	<b>07CRM352492</b>	\$7,457	\$9,415	\$11,261



5 Positions with AV Hinge door, Refrigerator Drawer, File Drawer, Hinge Door, Pull Out-Trash and Box Drawers configuration options, 35" High

3 x 18" insert & 2 x 24"w insert on both ends	24"	103 3/4"	35"	<b>07CRM3524104</b>	8,078	10,171	12,219
4 x 18" insert & 1 x 24"w insert on the left	24"	97 3/4"	35"	<b>07CRM352498L</b>	7,773	9,786	11,747
4 x 18" insert & 1 x 24"w insert on the right	24"	97 3/4"	35"	<b>07CRM352498R</b>	7,773	9,786	11,747



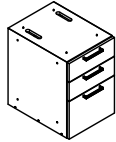
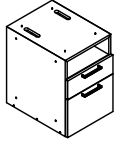
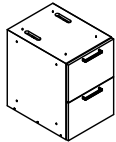
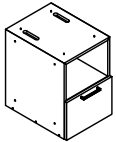
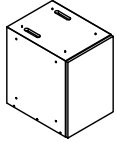
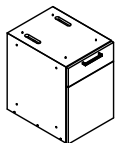
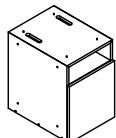
### Application Notes

Construction:  
 Top and end panels are 3/4" thick wood panels with butt-jointed corners.  
 Bottom panel is a 3/4" thick wood panel that is butt-jointed to the end panels.  
 Back panel is a 3/4" thick inset wood panel.  
 Back panel is picture-framed by the top and end panels exposing the butt-jointed corners while the bottom panel set back and hidden from view behind the back panel.

Bases are 2" high wood panels recessed 2" on all sides.  
 A/V Rack and/or Cool Drawer 24" wide insert positions are equipped with an 18" wide x 19" high cutout in the back panel as well as two 6" wide x 1" deep grommets along the front edge of the bottom panel for ventilation.  
 All components finished to match in either a veneer or satin lacquer finish.

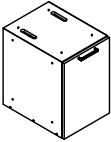
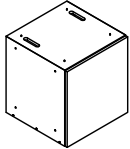
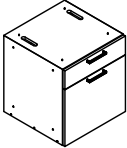
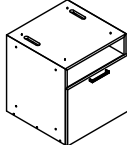
# Credenza Inserts

**29" High**

Description	Type	D	W	H	Pattern No.	Painted	T1	T2
1 x File Drawer & 2 x Box Drawer	29"h insert	24"	18"	29"	<b>18FBBMB</b>	\$1,883	\$2,141	\$2,279
								
1 x File Drawer & 1 x Box Drawer & 29"h insert 1 x Open Shelf		24"	18"	29"	<b>18FBOMB</b>	\$1,729	\$1,998	\$2,138
								
2 x File Drawer	29"h insert	24"	18"	29"	<b>18FFMB</b>	\$1,720	\$1,974	\$2,112
								
1 x File Drawer & 1 x Open Shelf	29"h insert	24"	18"	29"	<b>18FOMB</b>	\$1,515	\$1,784	\$1,922
								
1 x Hinged Door	29"h insert	24"	18"	29"	<b>18H(L/R)</b>	\$1,315	\$1,584	\$1,722
								
1 x Hinged Door & 1 x Box Drawer	29"h insert	24"	18"	29"	<b>18HB(L/R) MB</b>	\$1,529	\$1,798	\$1,938
								
1 x Hinged Door & 1 x Open Shelf	29"h insert	24"	18"	29"	<b>18HO(L/R)</b>	\$1,315	\$1,584	\$1,722
								

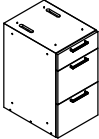

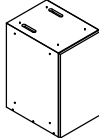
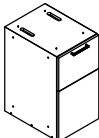
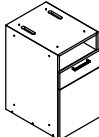
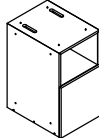
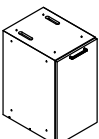
# Credenza Inserts

**29" High**

<b>Description</b>	<b>Type</b>	<b>D</b>	<b>W</b>	<b>H</b>	<b>Pattern No.</b>	<b>Painted</b>	<b>T1</b>	<b>T2</b>
1 x Pull-Out Trash 	29"h insert	24"	18"	29"	<b>18TMB</b>	\$1,854	\$2,121	\$2,262
1 x AV Hinged Door 	29"h insert	24"	24"	29"	<b>24A(L/R)</b>	\$1,368	\$1,636	\$1,775
1 x Refrigerator Drawer & 1 x Box Drawer 	29"h insert	24"	24"	29"	<b>24CBMB</b>	\$5,285	\$5,560	\$5,693
1 x Refrigerator Drawer & 1 x Open Shelf 	29"h insert	24"	24"	29"	<b>24COMB</b>	\$5,285	\$5,560	\$5,693

# Credenza Inserts

**35" High**

<b>Description</b>	<b>Type</b>	<b>D</b>	<b>W</b>	<b>H</b>	<b>Pattern No.</b>	<b>Painted</b>	<b>T1</b>	<b>T2</b>
2 x File Drawer & 1 x Box Drawer	35"h insert	24"	18"	35"	<b>18FFBMB</b>	\$1,989	\$2,263	\$2,431
								
2 x File Drawer & 1 x Open Shelf	35"h insert	24"	18"	35"	<b>18FFOMB</b>	\$1,774	\$2,048	\$2,213
								
1 x Hinged Door	35"h insert	24"	18"	35"	<b>18H(L/R)</b>	\$1,364	\$1,653	\$1,814
								
1 x Hinged Door & 1 x File Drawer	35"h insert	24"	18"	35"	<b>18HF(L/R)MB</b>	\$1,637	\$1,933	\$2,100
								
1 x Hinged Door & 1 x Box Drawer & 1 x Open Shelf	35"h insert	24"	18"	35"	<b>18HBO(L/R)MB</b>	\$1,590	\$1,884	\$2,047
								
1 x Hinged Door & 1 x Open Shelf	35"h insert	24"	18"	35"	<b>18HO(L/R)</b>	\$1,373	\$1,670	\$1,838
								
1 x Pull-Out Trash	35"h insert	24"	18"	35"	<b>18TMB</b>	\$1,910	\$2,208	\$2,368
								



# Credenza Inserts

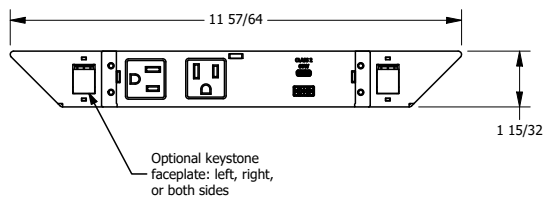
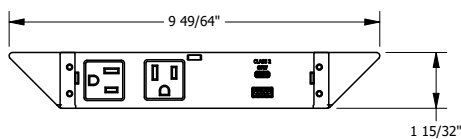
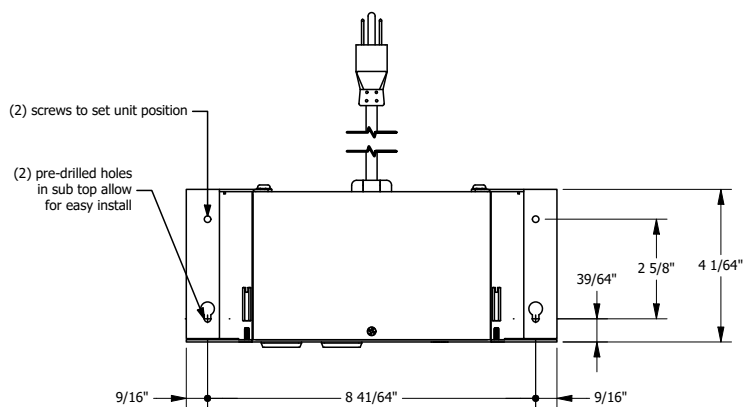
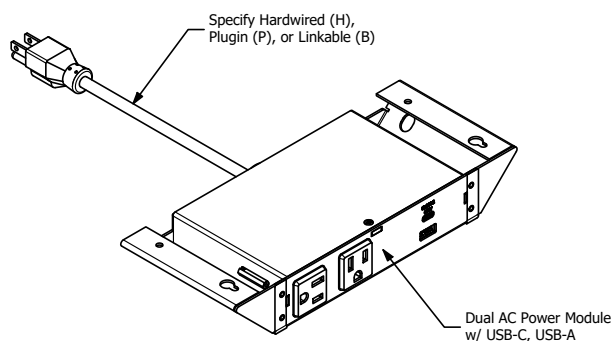
**35" High**

<b>Description</b>	<b>Type</b>	<b>D</b>	<b>W</b>	<b>H</b>	<b>Pattern No.</b>	<b>Painted</b>	<b>T1</b>	<b>T2</b>
1 x AV Hinged Door	35"h insert	24"	24"	35"	<b>24A(L/R)</b>	\$1,435	\$1,700	\$1,865
								
1 x Refrigerator Drawer & 2 x Box Drawer	35"h insert	24"	24"	35"	<b>24CBBMB</b>	\$5,751	\$6,046	\$6,211
								
1 x Refrigerator Drawer & 1 x Box Drawer & 1 x Open Shelf	35"h insert	24"	24"	35"	<b>24CBOMB</b>	\$5,538	\$5,835	\$5,999
								
1 x Refrigerator Drawer & 1 x Open Shelf	35"h insert	24"	24"	35"	<b>24COMB</b>	\$5,321	\$5,622	\$5,785
								

# Accessories

Power & Connectivity  
Undermount Power  
For Conference & Media Tables

Pattern No.	Description	LIST
UCOH	Undermount, Hardwire	\$1,996
UCOP	Undermount, Plugin	\$1,996
UCOA	Undermount, Linkable Hardwire	\$1,996
UCOB	Undermount, Linkable Plugin	\$1,996



- Interior: Black powder coat
- Standard with Dual AC Power Module w/ USB-c, USB-A - specify hardwired (H), plugin (P), or linkable (B), and 2 blank end faces. (as shown above)
- For additional connectivity, please contact sale rep.

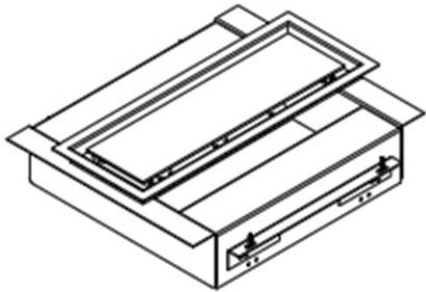
Shown above as a custom solution with (2) keystone cutouts

Power & Connectivity

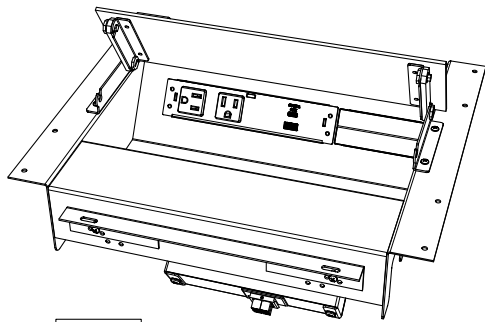
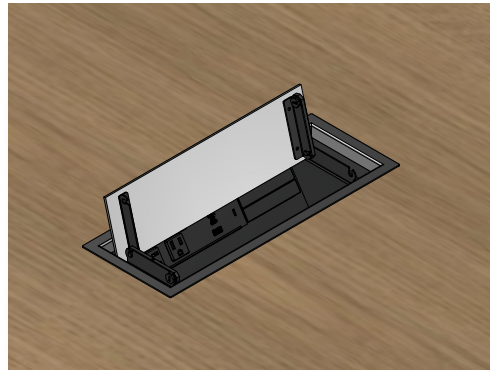
Dual Flip Table Top

For Conference and Media Tables

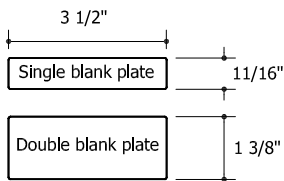
Pattern No.	Description	LIST
T2CH	Tabletop, 2-Sided Lid (Metal\Wood), Hardwire	\$4,281
T2CP	Tabletop, 2-Sided Lid (Metal\Wood), Plugin	\$4,281
T2CA	Tabletop, 2-Sided Lid (Metal\Wood), Linkable Hardwire	\$4,281
T2CB	Tabletop, 2-Sided Lid (Metal\Wood), Linkable Plugin	\$4,281



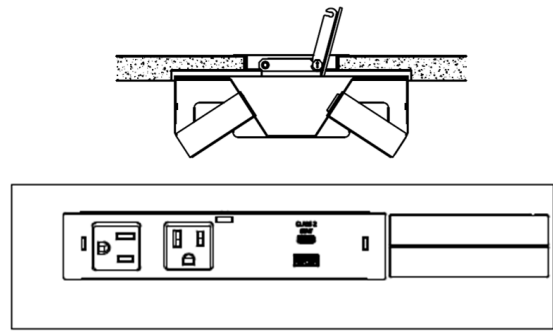
DOUBLE-HINGED TOPMOUNT



Shown without trim liner



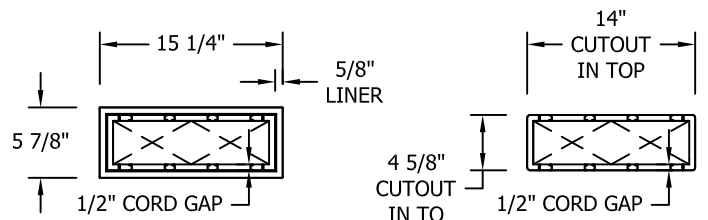
- Provided with:
  - (2) Dual AC power modules w/ USB-C, USB-A - specify hardwired (H), plugin (P), or linkable (B),
  - (4) single space blank plates
- For additional connectivity, replace single and double space blanks with single or double space AAP plates as desired.
- For more information contact customer service.



Double-Sided Conference Table Topmount  
(Both Sides)

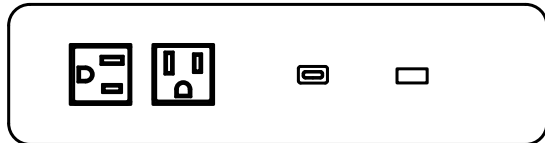
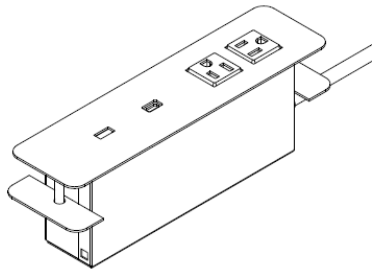
Double-sided table top access with metal trim liner

Double-sided table top access with wood lid and no metal trim liner



Power & Connectivity  
Top Mount  
For Waterfall Tables

Pattern No.	Description	LIST
TMHW	Topmount Hardwired QTY 1	\$961
TMPI	Topmount Plug In QTY 1	\$961

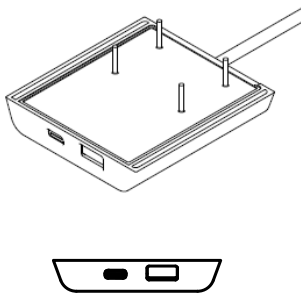


TOPMOUNT POWER  
AC + USB-A/C 60W



Power & Connectivity  
Perimeter USB  
For Waterfall Tables

Pattern No.	Description	LIST
PUHW	Perimeter USB Hardwired QTY 1	\$625
PUPI	Perimeter USB Plug In QTY 1	\$574



PERIMETER POWER  
USB-A\C 12\36W



