

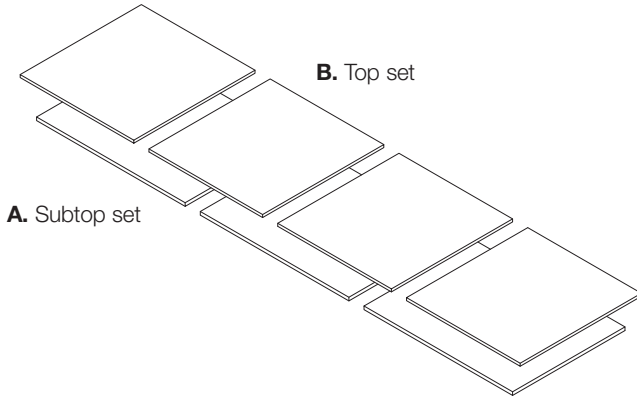
Highline Vector Conference Table

1. Table-top

Related instructions:

- 02D00005 - Vector conference table base
- 02D00008 - Loop leg conference table base
- 02D00003 - Single-hinged topmount power box
- 00D00005 - Double-hinged topmount power box

In the box - Table top



C. Wood screw
Flat head phillips #8x1-3/4
Black



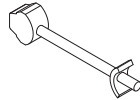
D. Wood screw
Pan head phillips #12x1
Black



E. Biscuit



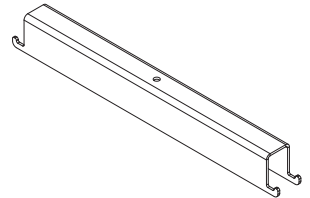
F. Zip-bolt



G. 4mm Allen L-key



H. Tension bracket

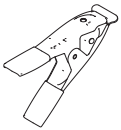


J. Machine screw
Hex head 5/16-18x2
Zinc

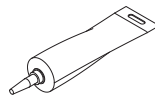


In the box - Table top w\ alternative material top (if equipped)

K. 2" spring clamp



L. Silicone tube



M. Cardboard protector



Tools Required

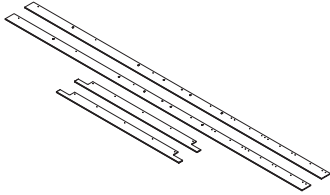
- Drill gun
- Driver bit, Phillips #2
- Driver bit, Phillips #3
- Socket, external hex 1/2"
- L-key, hex 4mm
- Measuring tape
- Level

Highline Vector Conference Table

1. Table-top

In the box - Edge trim (if equipped)

N. Metal or leather edge trim set



P. Machine screw
Pan head phillips 1/4-20x7/8
Zinc

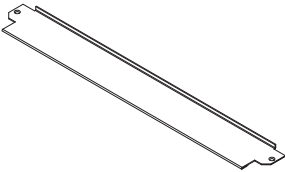


R. Roll pin Ø1/8x7/8
Zinc



In the box - Leather edge trim w\ ABS core and power drawers (if equipped)

T. Edge support
above power drawer

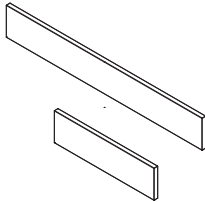


U. Wood screw
Flat head phillips #6 x 5/8
Zinc



In the box - Topmount power lid and liner (if equipped)

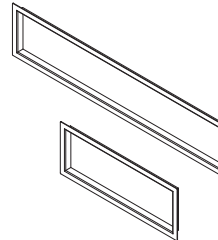
V. Topmount lid
Small or large



W. Machine screw
Pan head phillips #8-32x3/8
Zinc



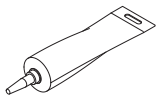
X. Topmount liner
Small or large



Y. Topmount liner spacer



L. Silicone tube



Tools Required

- Cordless drill
- Driver bit, Phillips #2
- Driver bit, Phillips #3
- Driver bit, internal hex 5/32"
- Driver bit, internal hex 3/16"
- Driver bit, internal hex 1/4"
- Socket, external hex 1/2"
- Measuring tape

Highline Vector Conference Table

1. Table-top

1. Assembly Instructions - Subtop

1.1. 1-PIECE SUBTOP

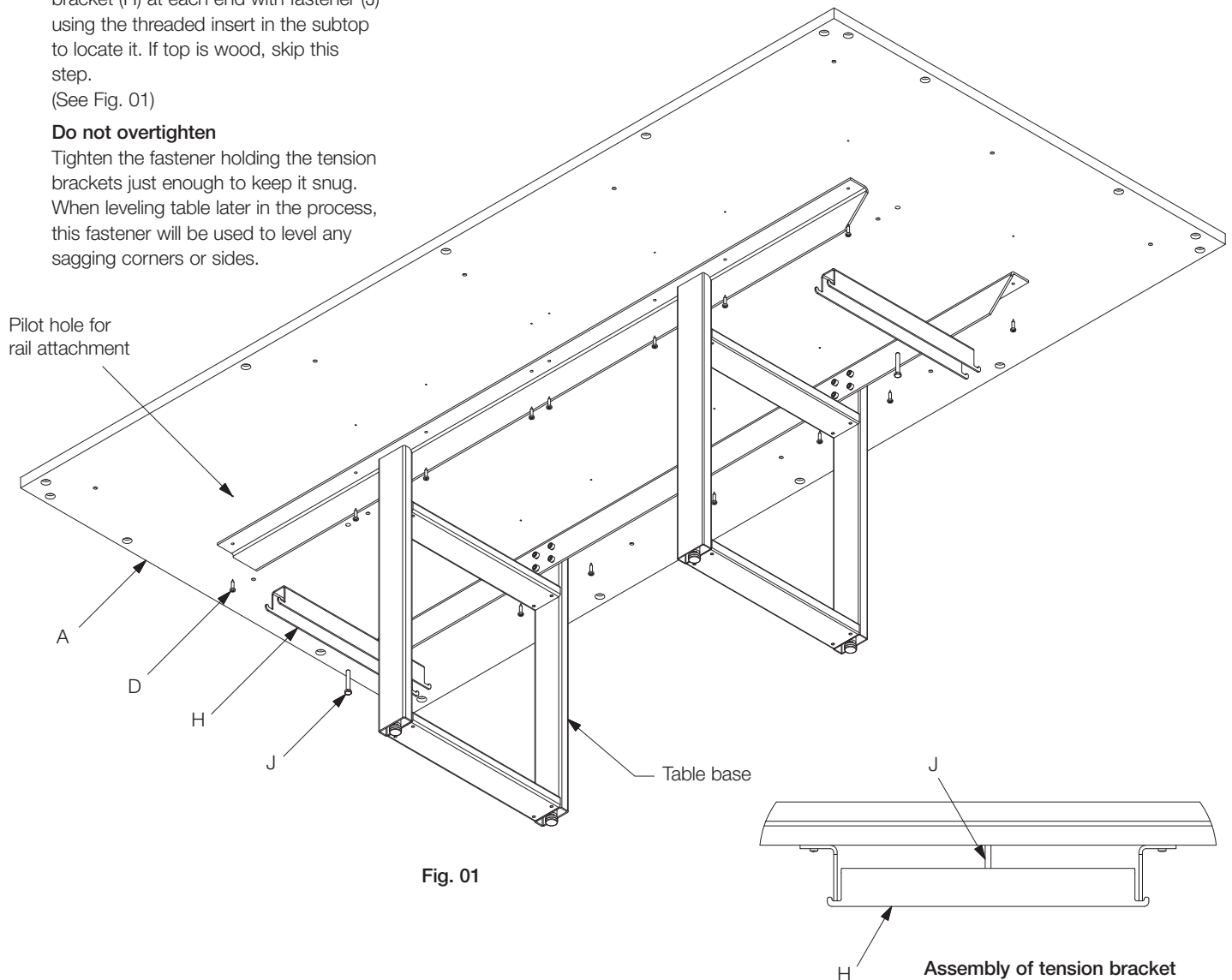
1.1.1. Place subtop (A) on table base with pilot holes to attach subtop to table rails facing down.
(See Fig. 01)

1.1.2. Align pilot holes in subtop to holes in base table rails, then using fastener (D) secure them together.
(See Fig. 01)

1.1.3. If top is **NOT** wood, it will be supplied with tensions brackets. Attach tension bracket (H) at each end with fastener (J) using the threaded insert in the subtop to locate it. If top is wood, skip this step.
(See Fig. 01)

Do not overtighten

Tighten the fastener holding the tension brackets just enough to keep it snug. When leveling table later in the process, this fastener will be used to level any sagging corners or sides.



Highline Vector Conference Table

1. Table-top

1. Assembly Instructions - Subtop (Cont.)

1.2. MULTI-PIECE SUBTOP

- 1.2.1. Place all subtop (A) sections on table base with pilot holes to attach subtop to table rails facing down. (See Fig. 02)
- 1.2.2. Using alignment biscuit (E) and zip-bolt (F) connect the subtop sections to each other. (See Fig. 02)

Do not overtighten

To prevent stripping zip-bolt fasteners, tighten by hand using 4mm allen key (G) included with table.

- 1.2.3. Align pilot holes in subtop to holes in base table rails, then using fastener (D) secure them together. (See Fig. 02)
- 1.2.4. If top is **NOT** wood, it will be supplied with tension brackets. Attach tension bracket (H) at each end, and 2 at each subtop split with fastener (J) using the threaded insert in the subtop to locate it. If it is wood, skip this step. (See Fig. 02)

Do not overtighten

Tighten the fastener holding the tension brackets just enough to keep it snug. When leveling table later in the process, this fastener will be tightened to level any sagging corners or sides.

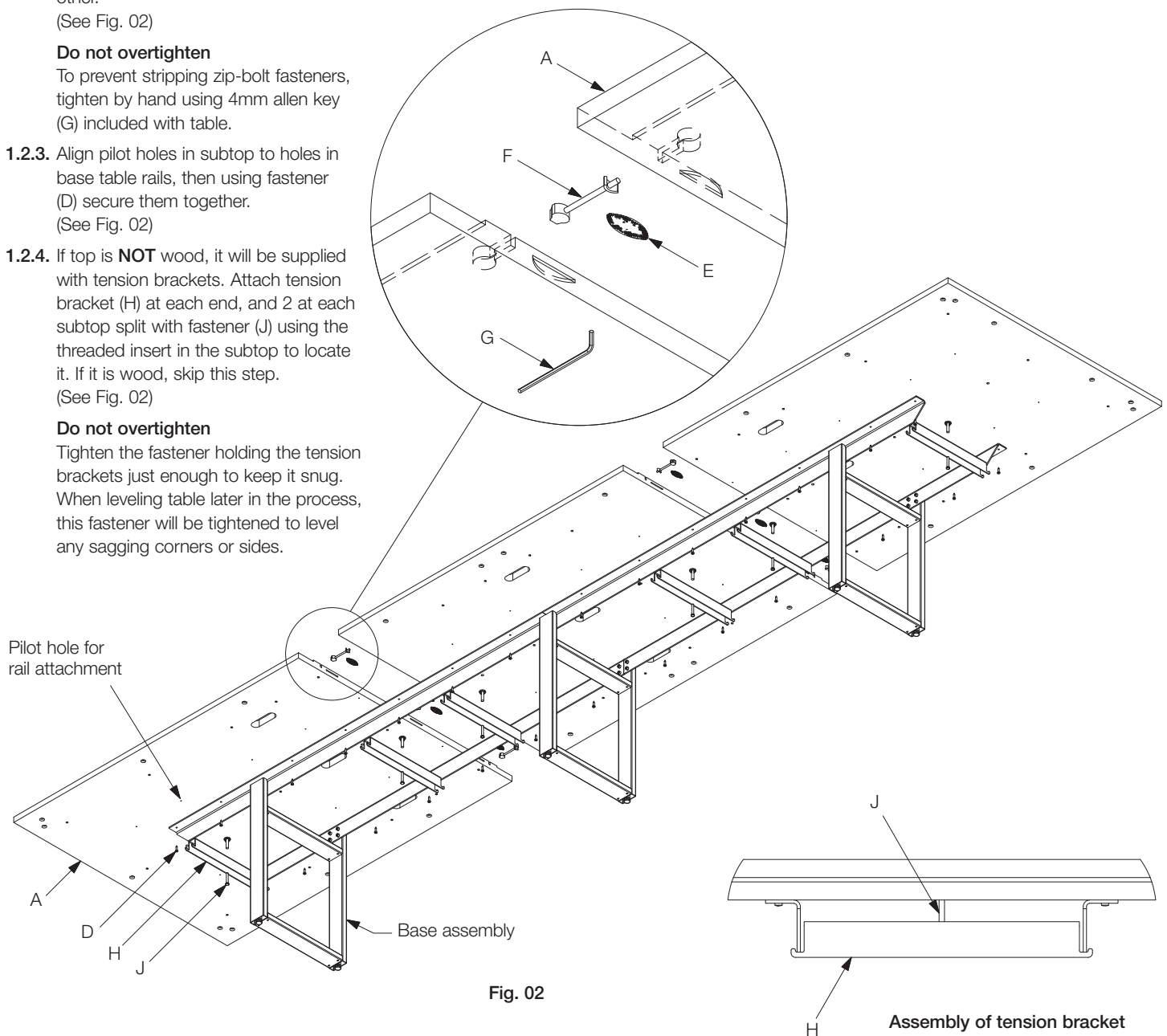


Fig. 02

Assembly of tension bracket

Highline Vector Conference Table

1. Table-top

2. Assembly Instructions - Edge Trim (if equipped)

Note:

Skip forward to subtop leveling instructions if table is not equipped with edge trims.

2.1. METAL EDGE TRIM (PAINTED, PLATED OR LEATHER WRAPPED)

2.1.1. Layout edge trims (N) around subtop (A) matching the numbers marked on both, making sure the numbers always face up.
(See Fig. 03)

2.1.2. Secure edge trims to subtop from underneath using fastener (P) into threaded holes of edge trim. Flush the edge trims by loosening fasteners (P) and shimming to make any necessary adjustments.
(See Fig. 03)

Do not overtighten

Screw must not protrude above top surface of the edge trim.

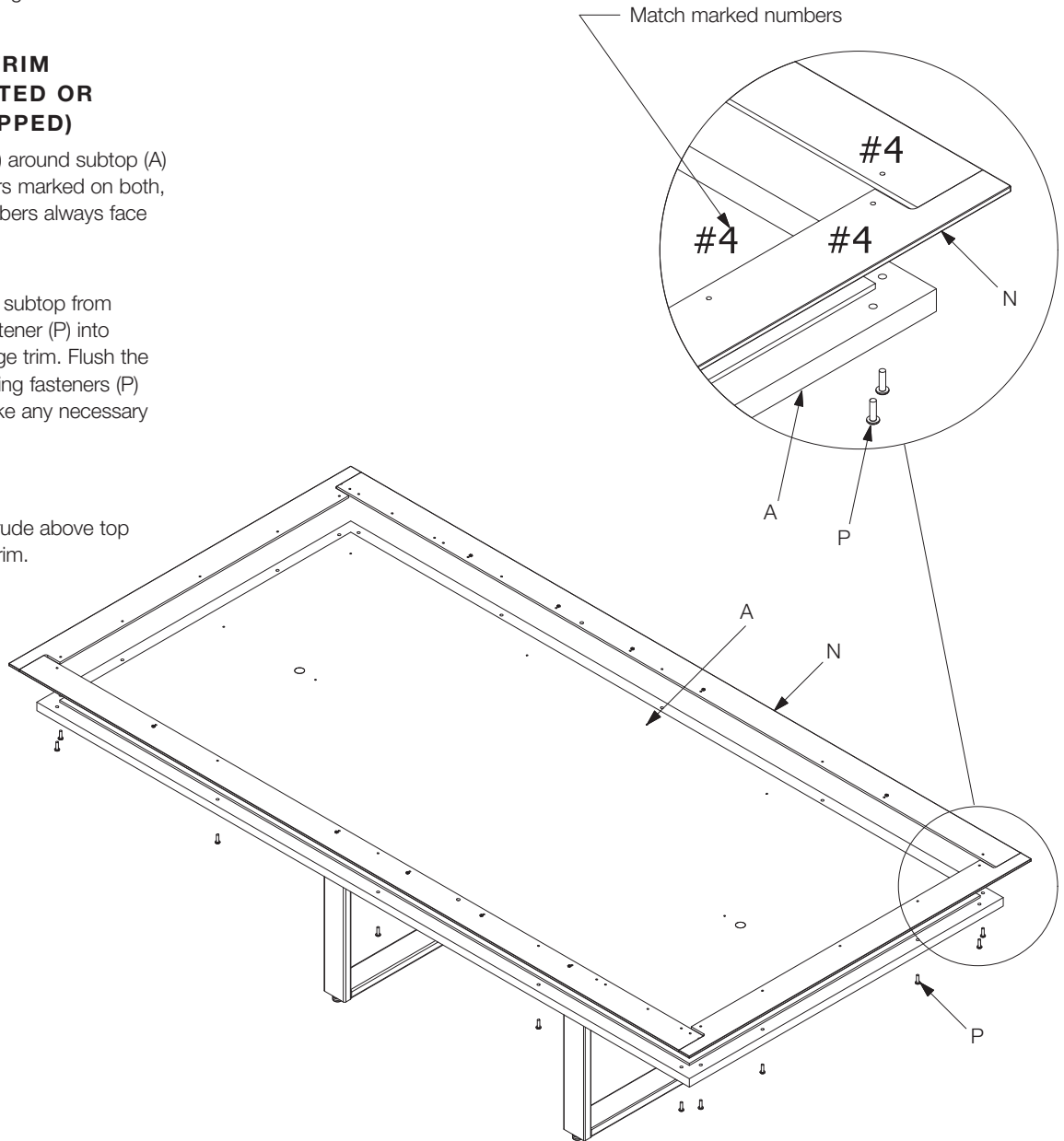


Fig. 03

Highline Vector Conference Table

1. Table-top

2. Assembly Instructions - Edge Trim (if equipped) (Cont.)

2.2. LEATHER WRAPPED ABS EDGE TRIM

2.2.1. If table is equipped with power drawers, attach edge support above power drawer (T) using fastener (U). If not, skip this step. (See Fig. 04)

2.2.2. Layout edge trims (N) around subtop (A) matching the numbers marked on both, making sure the numbers always face up. (See Fig. 04)

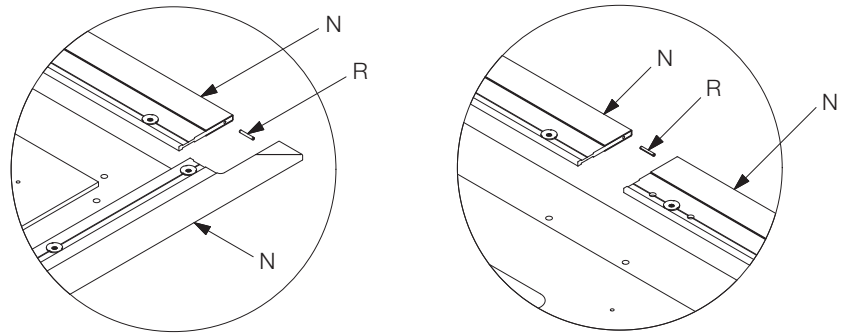
Note:

Use roll pin (R) to insure proper alignment at all joints.

2.2.3. Secure edge trims to subtop from underneath using fastener (P) into threaded holes of edge trim. Flush the edge trims by loosening fasteners (P) and shimming to make any necessary adjustments. (See Fig. 04)

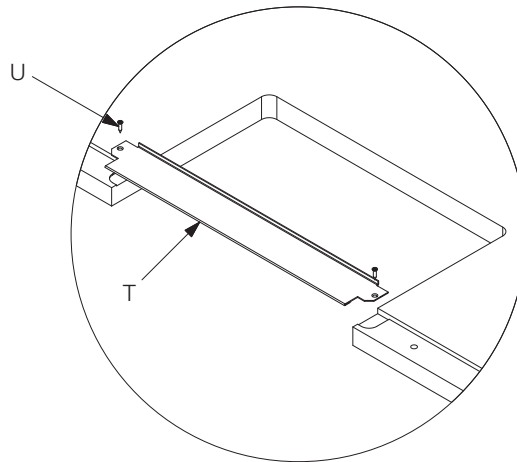
Do not overtighten

Screw must not protrude above the top surface of the edge trim.



Corner joint with roll pin

In-line joint with roll pin



Edge support above power drawer

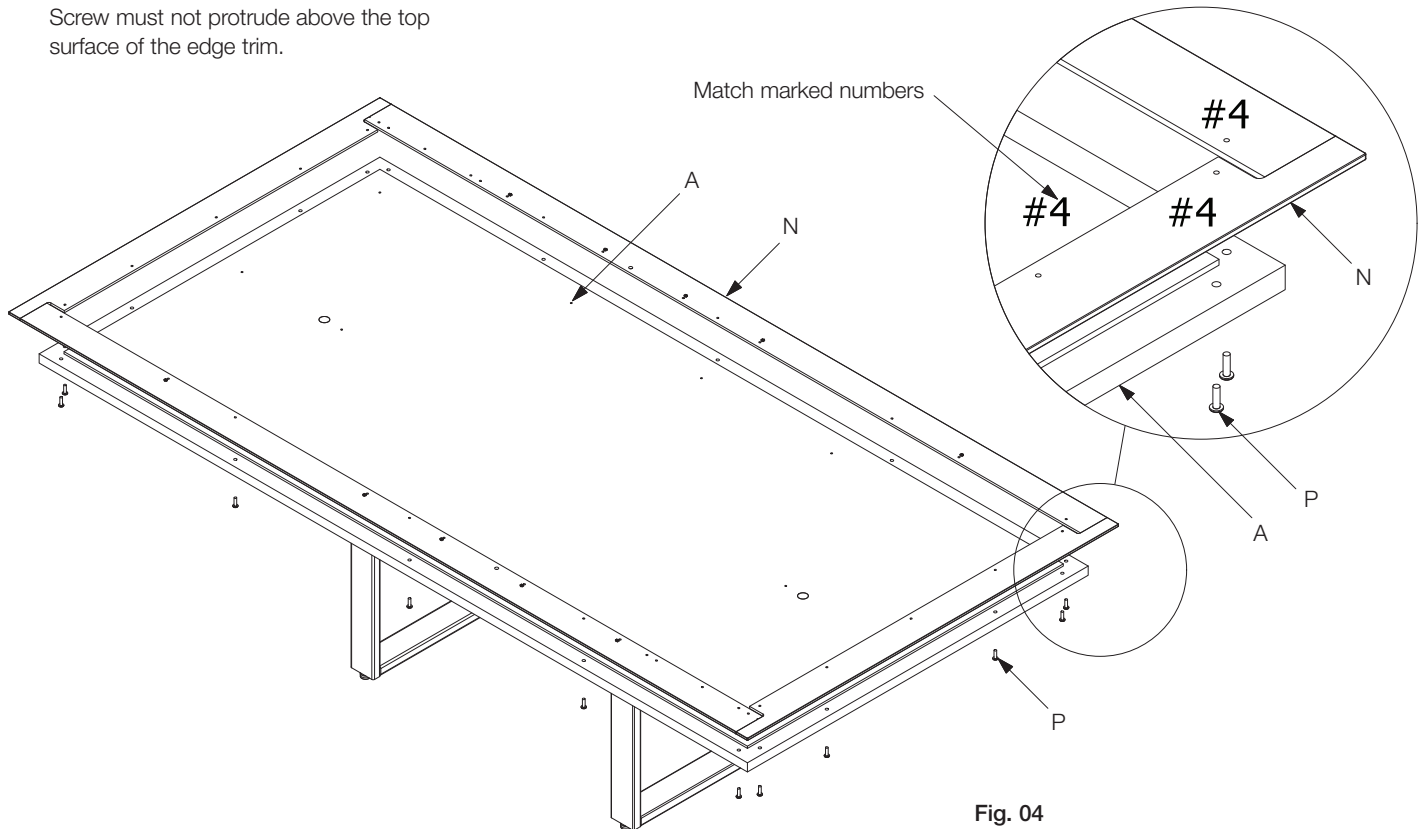


Fig. 04

Highline Vector Conference Table

1. Table-top

3. Leveling Table w\ subtop Assembled (this is an extremely critical step)

- 3.1. Using the flat edge of the level as a straight edge, make sure the subtop is perfectly flat by adjusting the tension bracket (H). Tighten fastener (J) for any sag or loosen fastener for any cupping. (See Fig. 05)
- 3.2. Using the level to measure, adjust the base levelers to level the table. (See Fig. 05)

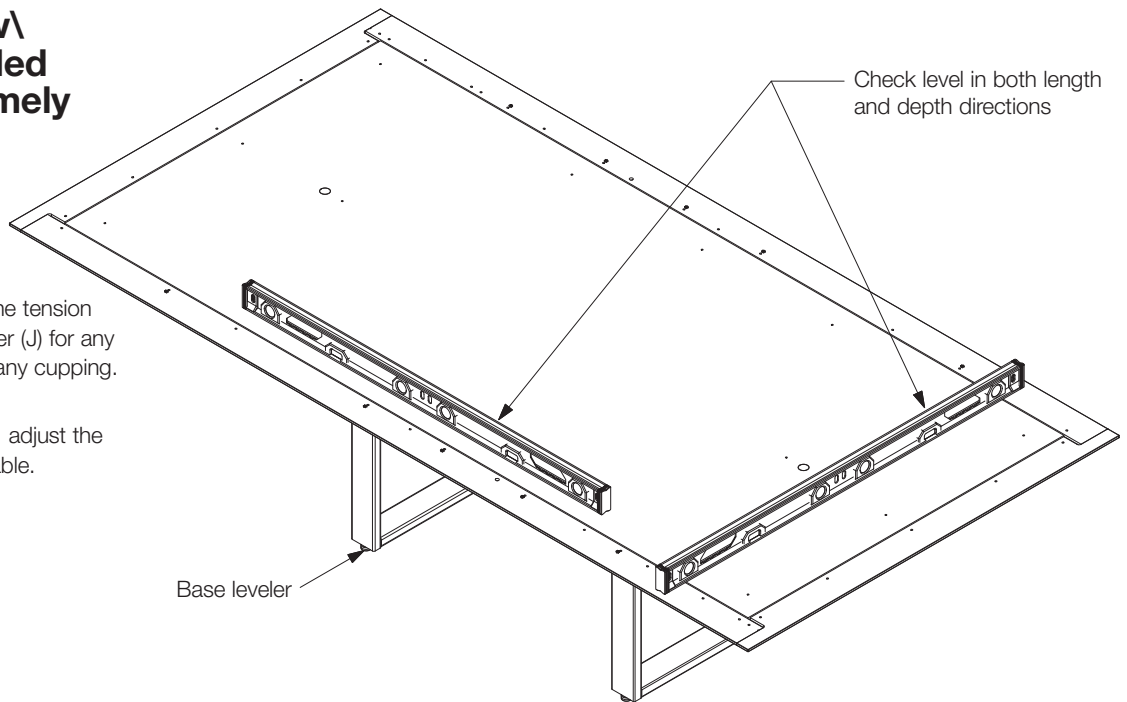


Fig. 05

4. Assembly Instruction - Topmount Power Box w\ Lid (if equipped)

Note:
Skip forward to top assembly instructions if table is not equipped with topmount power.

4.1. SINGLE-HINGED TOPMOUNTS

- 4.1.1. Attach hatch lid (V) to power box hinge using fastener (W). (See Fig. 06)
- 4.1.2. Refer to instructions 02D00003 for remaining steps.

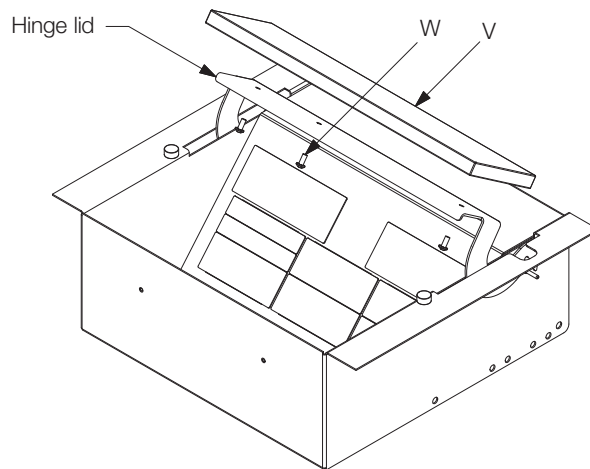


Fig. 06

4.2. DOUBLE-HINGED TOPMOUNTS

- 4.2.1. Refer to instructions 02D00005.

Highline Vector Conference Table

1. Table-top

5. Assembly Instructions - Wood Top

Note:

Skip forward to section for assembly of alternative material tops if your table is equipped with a solid surface, stone, marble or glass top.

5.1. 1-PIECE WOOD TOP

5.1.1. Place top (B) on subtop (A).
(See Fig. 07)

5.1.2. If equipped with edge trim (N), position the top so that an equal amount (1/4") of the edge trim shows. If not equipped with edge trim, centre top on subtop.
(See Fig. 07)

5.1.3. Once top is positioned, use fastener (C) to secure them together.
(See Fig. 07)

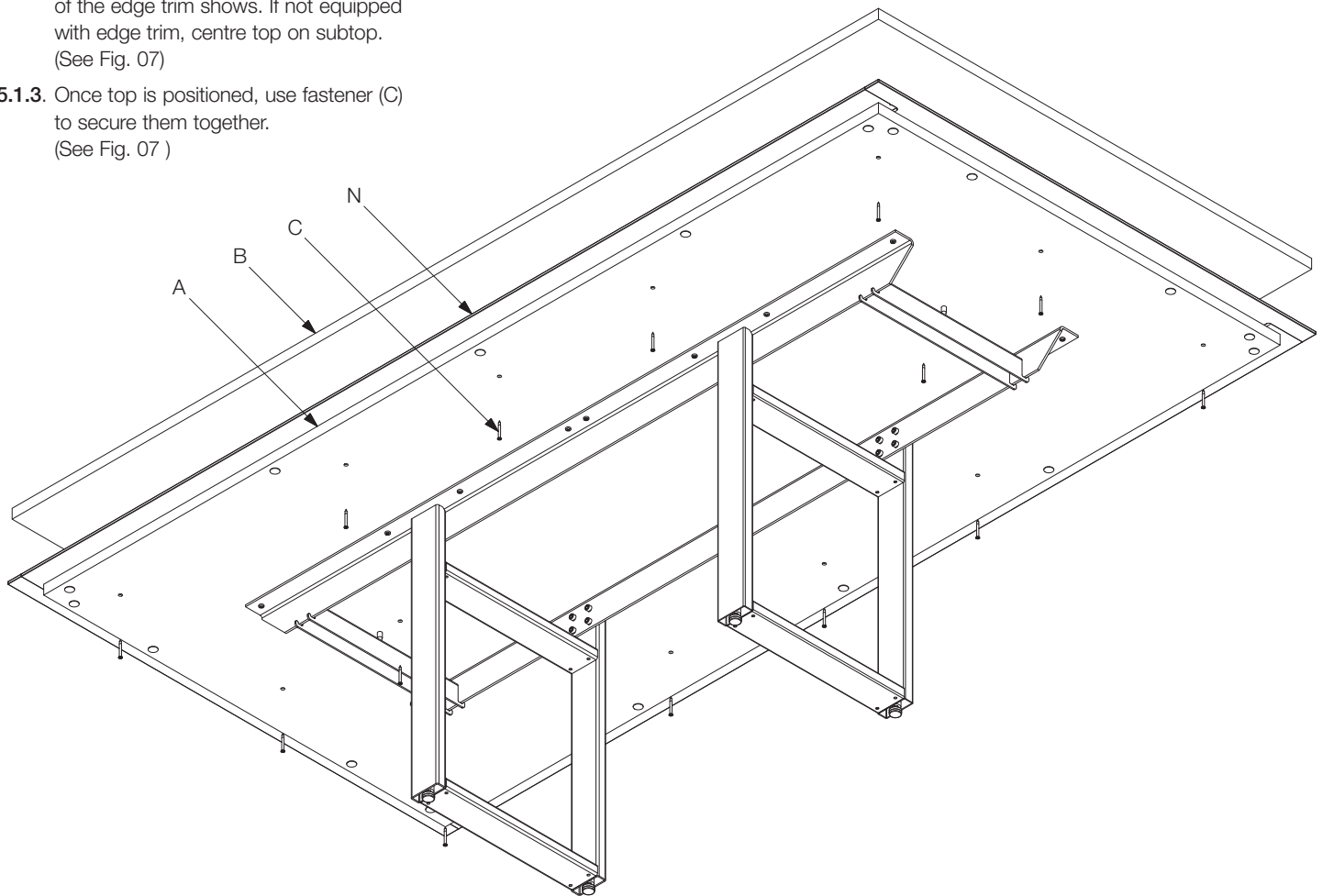


Fig. 07

Highline Vector Conference Table

1. Table-top

5. Assembly Instructions - Wood Top (Cont.)

5.2. MULTI-PIECE WOOD TOP

5.2.1. Place all top (B) sections on subtop (A).
(See Fig. 08)

5.2.2. Using zip-bolt (F) connect the top sections to each other thru the openings in the subtop.
(See Fig. 08)

Do not overtighten

To prevent stripping zip-bolt fasteners, tighten by hand using 4mm allen key (G) included with table.

5.2.3. If equipped with edge trim (N), position the top assembly so that an equal amount (1/4") of the edge trim shows. If not equipped with edge trim, centre top on subtop.
(See Fig. 08)

5.2.4. Once top is positioned, use fastener (C) to secure them together.
(See Fig. 08)

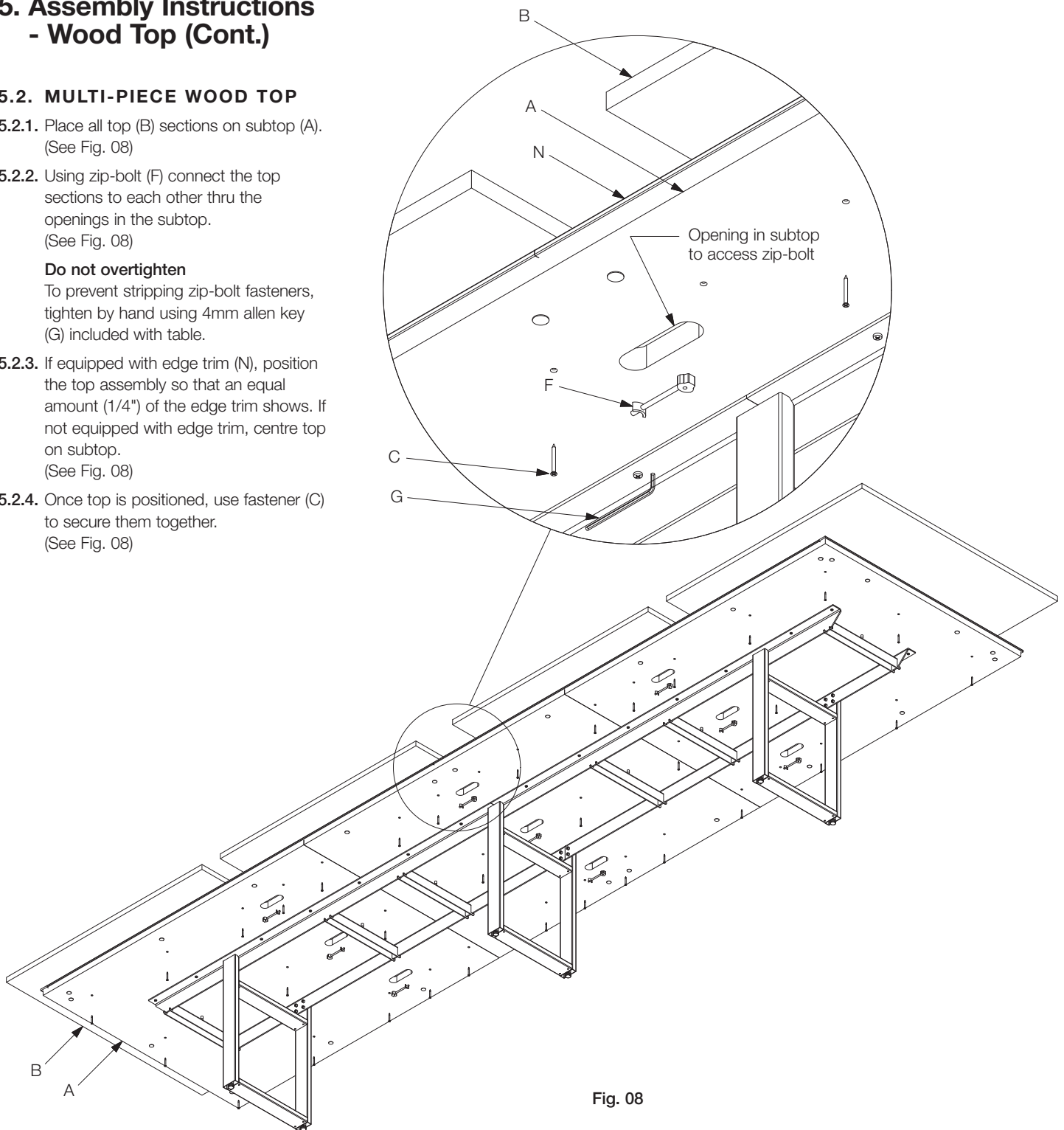


Fig. 08

Highline Vector Conference Table

1. Table-top

6. Assembly Instructions - Alternative Material Top

Before you begin:

Dry fit all tops before gluing down.

6.1. 1- & MULTI-PIECE ALTERNATIVE MATERIAL TOPS

6.1.1. Place a 1/2" dab of the silicone (L) provided on marked locations of subtop (A) approximately 5" in from the edge. (See Fig. 09)

Silicone specification:

Dap 100% clear silicone rubber sealant, no substitutes (provided by datesweiser).

6.1.2. Position ALL top (B) sections on subtop (A). (See Fig. 09)

6.1.3. If equipped with an edge trim, position the top (suction cups are recommended) so that an equal amount (1/4") of the edge trim shows. If not equipped with an edge trim, centre the top on the subtop. (See Fig. 09)

Note:

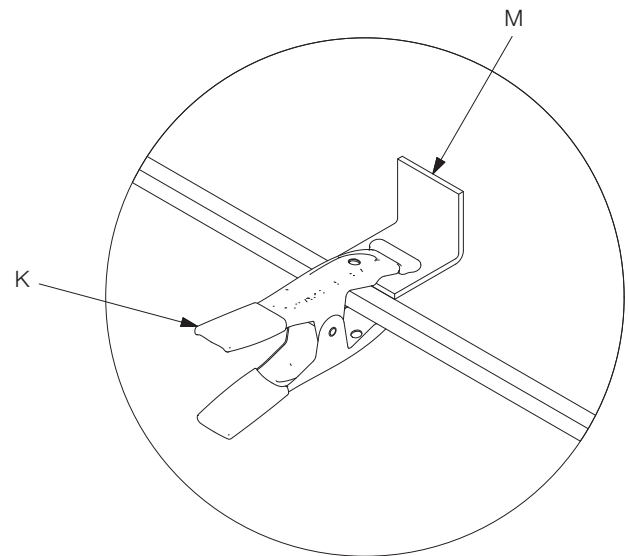
If top is glass, make sure the painted side is facing down.

6.1.4. Using clamps (K) supplied with each table, clamp the top in place while the silicone sets. See section "Clamp layout guide" for recommended clamping locations. Silicone must cure for a minimum of 24 hours before clamps can be removed. (See Fig. 09)

Notes:

Use supplied cardboard protection (M) for stone top only.

Clamps not required for tops with recessed subtop and no metal edge combination.



Applied clamp (shown w\ cardboard protector for glass top)

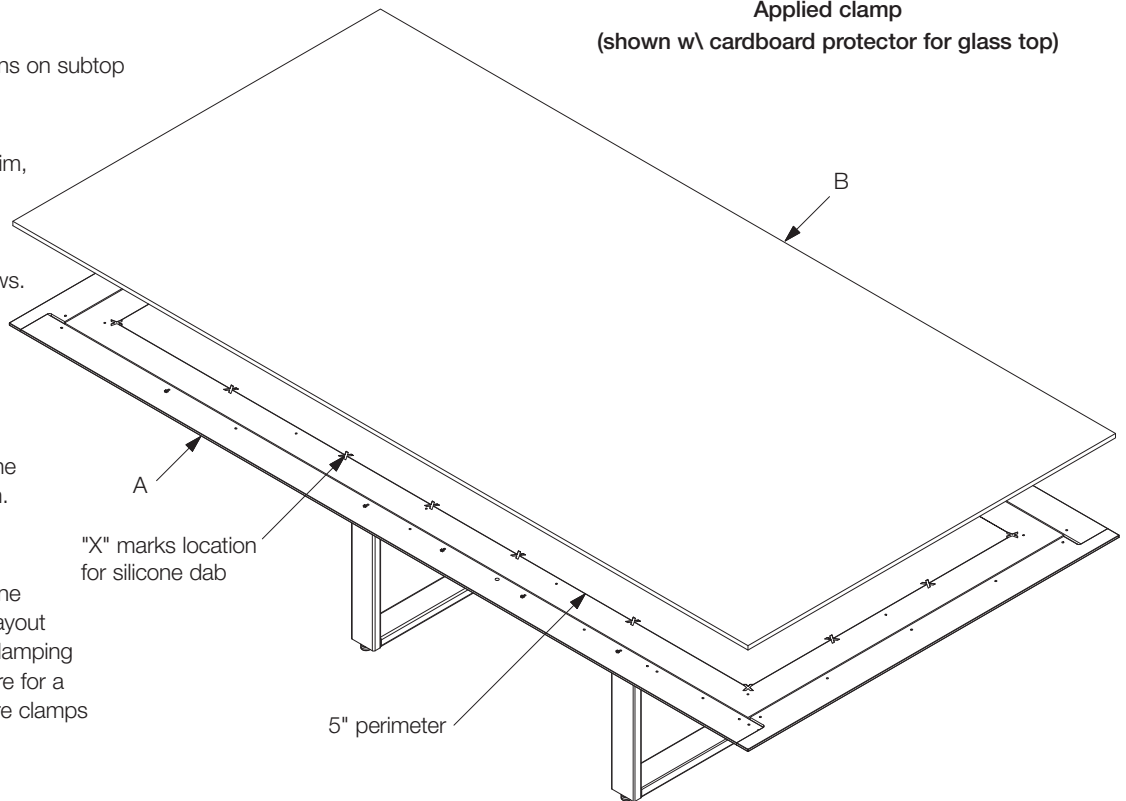


Fig. 09

Highline Vector Conference Table

1. Table-top

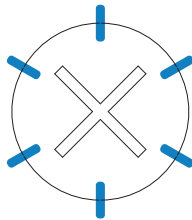
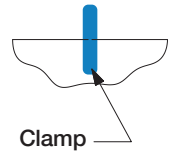
6. Assembly Instructions - Alternative Material Top (Cont.)

6.2 CLAMP LAYOUT GUIDE

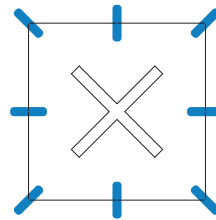
For alternative material tops (i.e. solid surface, stone, glass, etc.)
(See Fig. 10)

Note:

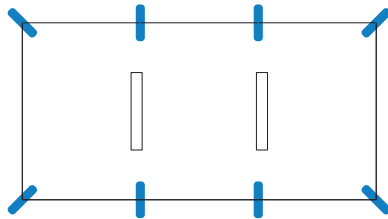
Silicone must cure for a minimum of 24 hours
before clamps can be removed.



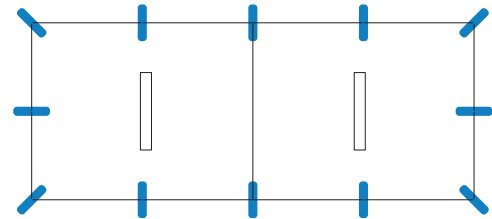
Round tops



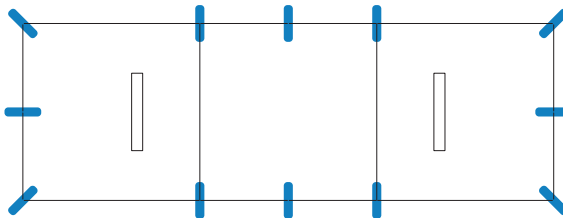
Square tops



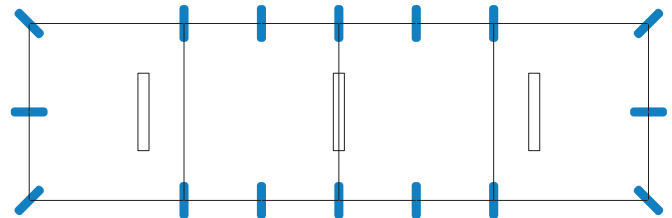
1-piece tops



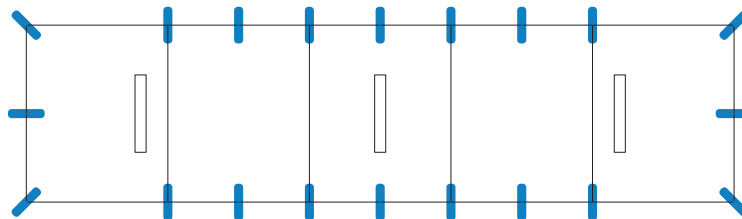
2-piece tops



3-piece tops



4-piece tops



5-piece tops

Fig. 10

Highline Vector Conference Table

1. Table-top

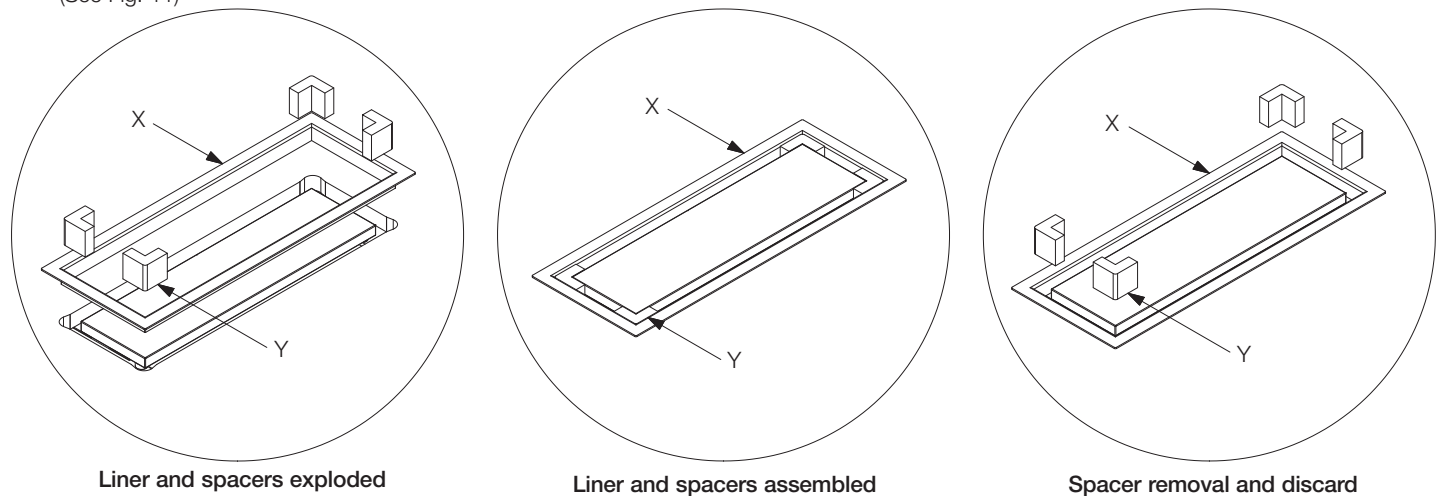
7. Assembly Instruction - Topmount Liner (if equipped)

Note:

Skip forward to table leveling check instructions if table is not equipped with topmount power.

- 7.1. Using small dabs of silicone (L), locate and secure topmount liner (X) using I-shaped spacer (Y) in all four corners. (See Fig. 11)
- 7.2. Wait 15 minutes for silicone to partially set, then remove and discard spacers. (See Fig. 11)

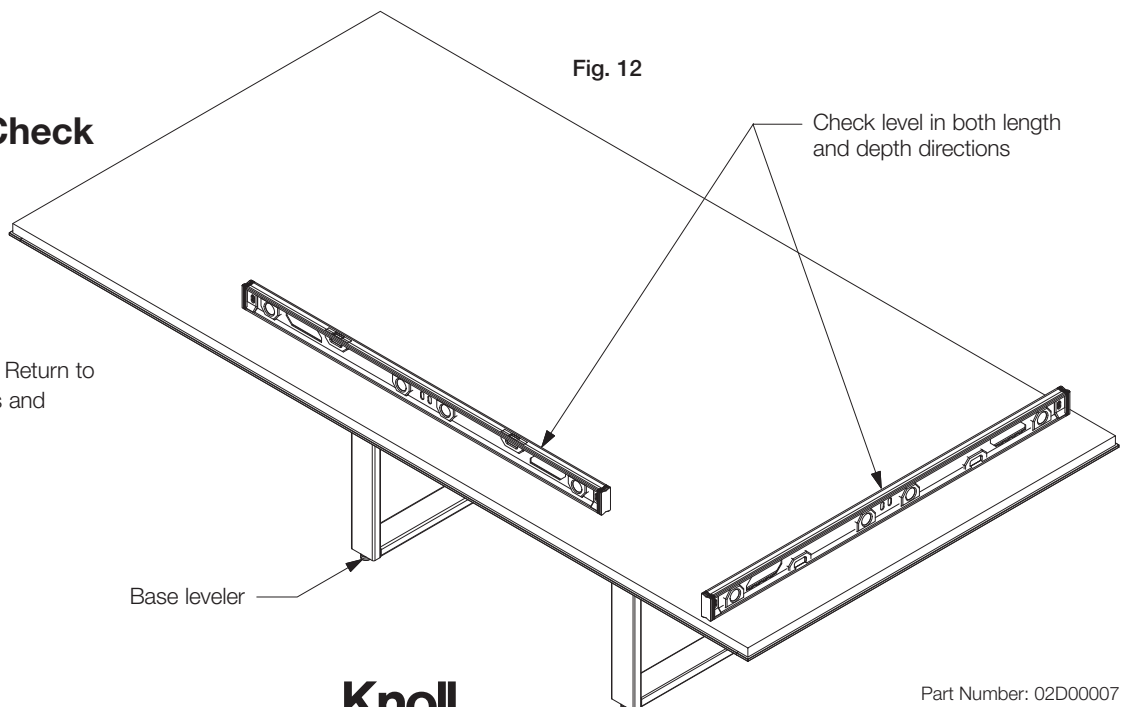
Fig. 11



8. Table Leveling Check

- 8.1. With top and subtop attached, use level to check and make sure table is still level. (See Fig. 12)
- 8.2. Top assembly is complete. Return to base assembly instructions and continue to the next step. (See Fig. 12)

Fig. 12



Highline Vector Conference Table

2. Table base

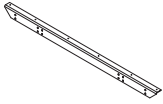
Related instructions:

02D00007 - Wood or alternative material top

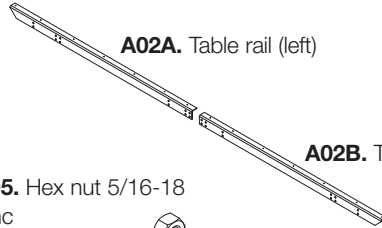
00D00005 - Double-hinged topmount power box

In the box - A Table rails

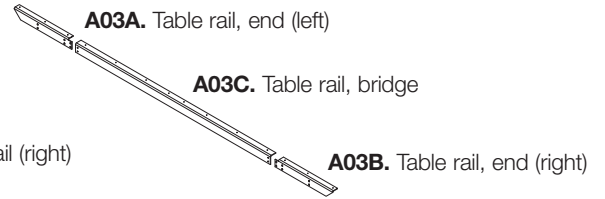
A01. Table rail, 1-piece



A02. Table rail, 2-piece



A03. Table rail, 3-piece



A04. Cap screw
Hex socket head 5/16-18x1
Black

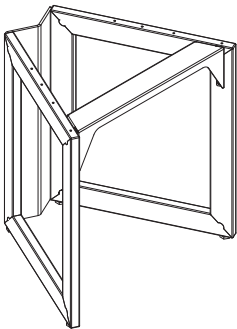


A05. Hex nut 5/16-18
Zinc

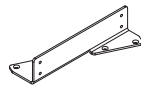


In the box - B End bases

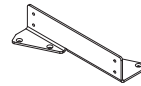
B01. Frame assembly



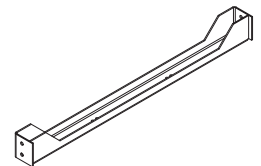
B02. End base, mount (left)



B03. End base, mount (right)



B04. End base, brace



B05. End base,
spine cover w\ magnets



B06. Cap screw
Hex socket head 5/16-18x1
Black



B07. Hex nut 5/16-18
Zinc



B08. Cap screw
Flat hex socket head 1/4-20x1
Black



B09. Cap screw
Hex socket head 1/4-20x1
Black



B10. Flat washer Ø1/4



Tools Required

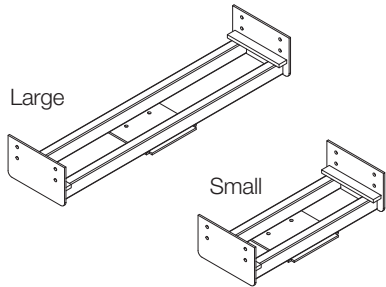
- Cordless drill
- Driver bit, Phillips #2
- Driver bit, Phillips #3
- Driver bit, internal hex 5/32"
- Driver bit, internal hex 3/16"
- Driver bit, internal hex 1/4"
- Socket, external hex 1/2"
- Measuring tape

Highline Vector Conference Table

2. Table base

In the box - C Intermediate base (if equipped)

C01. Intermediate base, mount



C02. Round column



C03. Cap screw
Hex socket head 5/16-18x1
Black

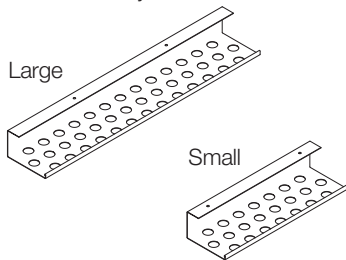


C04. Hex nut 5/16-18
Zinc



In the box - D Cable trays (if equipped)

D01. Cable tray



D02. Wood screw
Pan head phillips #8x3/4
Black

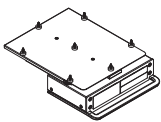


Power and connectivity options

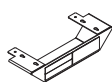
Note:

AAP modules sold separately. See price list for available options thru Datesweiser, or visit Extron at "<https://www.extron.com/product/aapselectorpopup.aspx>" for additional products.

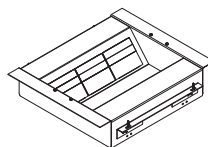
Slide-out box



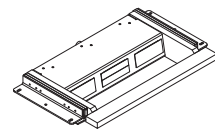
Undermount box



Topmount, double-hinged



Power drawer



Tools Required

- Cordless drill
- Driver bit, Phillips #2
- Driver bit, Phillips #3
- Driver bit, internal hex 5/32"
- Driver bit, internal hex 3/16"
- Driver bit, internal hex 1/4"
- Socket, external hex 1/2"
- Measuring tape

Highline Vector Conference Table

2. Table base

1. End Bases

- 1.1. Assemble mounts (B02 and B03) to frame assembly (B01) using fastener (B08), 4 places each mount. (See Fig. 01)
- 1.2. If bases are equipped with brace (B04), assemble it to the frame assembly (B01) using fastener (B09) and washer (B10), 2 places. (See Fig. 01)

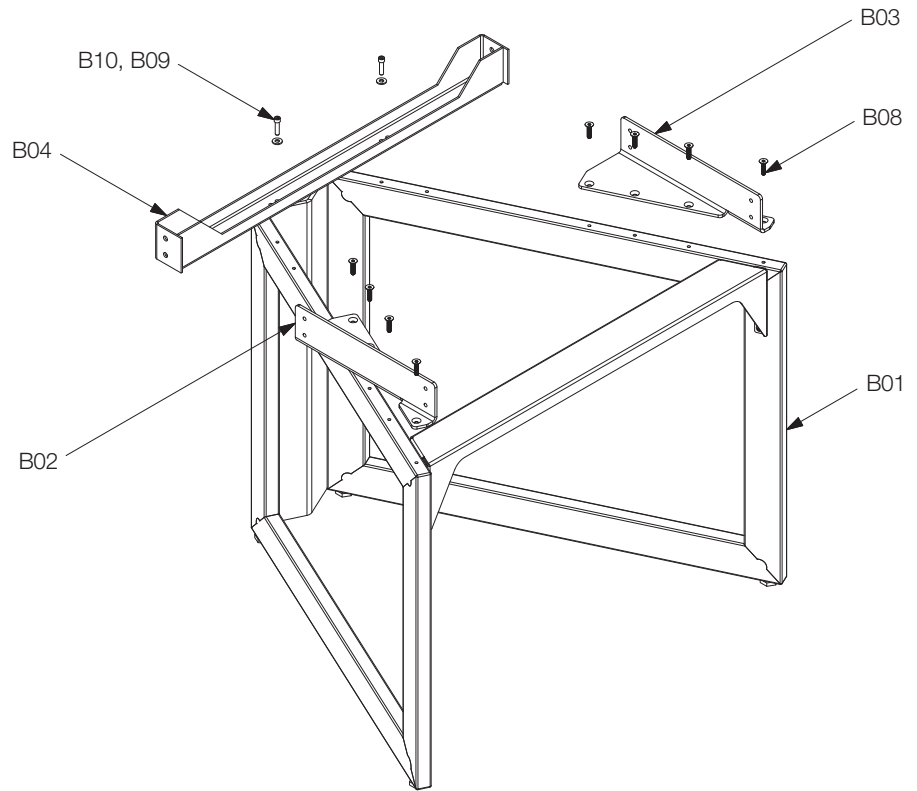


Fig. 01: End base

2. Intermediate Bases (if equipped)

Note:
Skip forward to table rail assembly instructions if table is not equipped with an intermediate base.

- 2.1. Assemble mount (C01) to round column (C02) using fastener (C03), 4 places. (See Fig. 02)

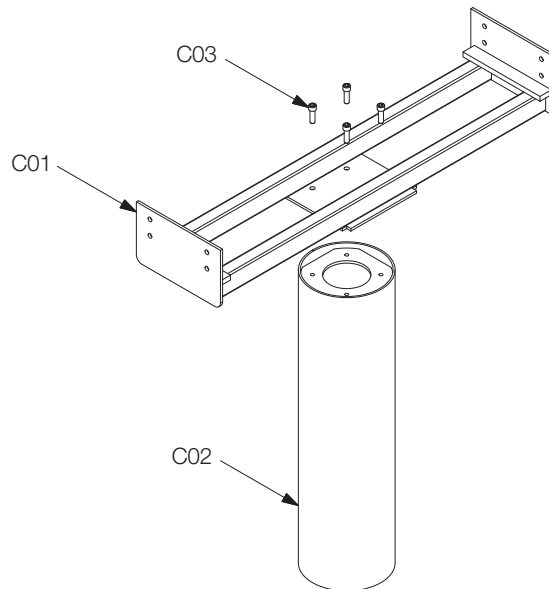


Fig. 02: Intermediate base

Highline Vector Conference Table

2. Table base

3. Table Rails

Before you begin:

Compare the images in the previous section "In the box - Table rails" with the rails included to verify the table uses either the 1, 2, or 3-piece design. Then skip forward to the appropriate instructions below.

3.1. TABLES W\ 1-PIECE RAILS

3.1.1. Layout table rails (A01) side-by-side to create a pair.
(See Fig. 03)

3.1.2. At each end of the rail pair loosely assemble end bases (B) via mounts (B02 and B03) using fastener (B06), 8 places each base.
(See Fig. 04)

3.1.3. If the bases you have are equipped with brace (B04) use fastener (B06) and hex nut (B07) to loosely secure it to the rails, 4 places each brace.
(See Fig. 04)

3.1.4. With all components now assembled, completely tighten any loose fasteners.

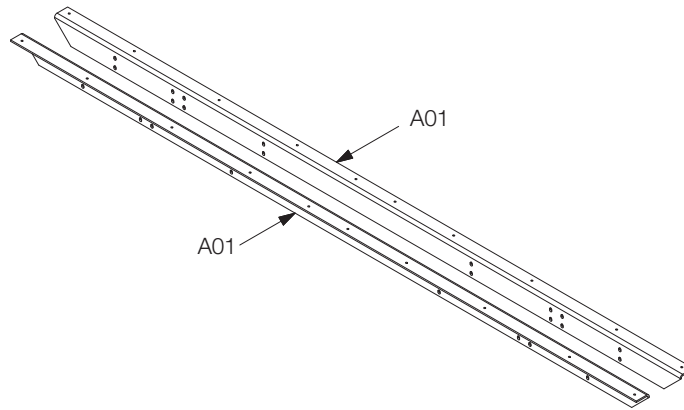


Fig. 03: Table rail pair

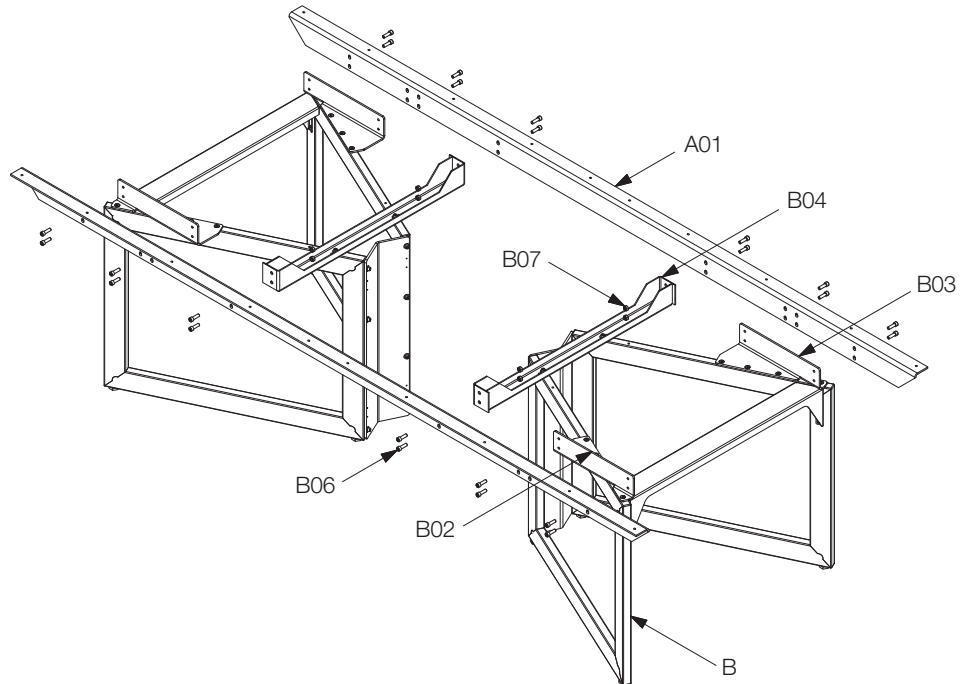


Fig. 04: Table rails to end bases

Highline Vector Conference Table

2. Table base

3. Table Rails (Cont.)

3.2. TABLES W\ 2-PIECE RAILS AND INTERMEDIATE BASE

3.2.1. Layout the table rails (A02A and A02B) rails side-by-side, so that you end up with 2 pairs.
(See Fig. 05)

3.2.2. At the chamfered end of each rail pair loosely assemble end bases (B) via mounts (B02 and B03) using fastener (B06), 8 places each base.
(See Fig.06)

3.2.3. If the bases you have are equipped with brace (B04) use fastener (B06) and hex nut (B07) to loosely secure it to the rails, 4 places each brace.
(See Fig. 06)

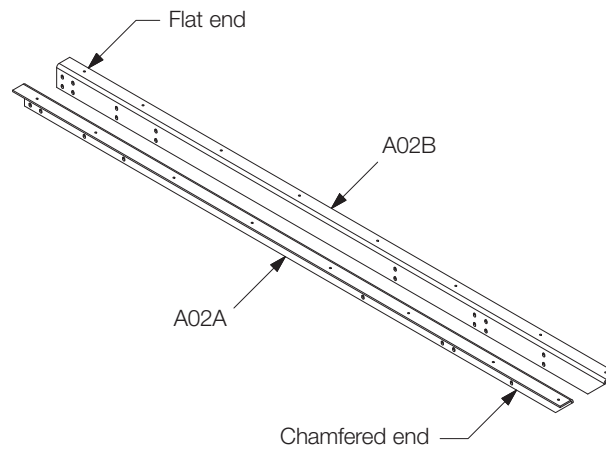


Fig. 05: Table rail pair

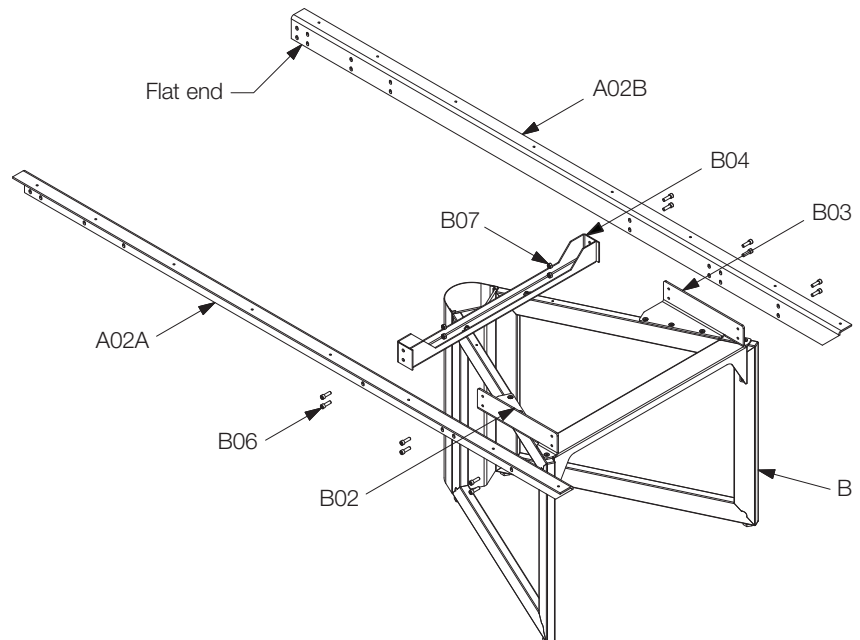


Fig. 06: Table rails to end bases

Highline Vector Conference Table

2. Table base

3. Table Rails (Cont.)

3.2. TABLES W\ 2-PIECE RAILS AND INTERMEDIATE BASE (CONT.)

- 3.2.4. Orient the 2 halves end-to-end with the bases on the outside and the open (flat) ends of the rails mated to each other. (See Fig. 07)
- 3.2.5. Loosely assemble intermediate base (C) via mount (C01) at the joining ends of the rail pairs using fastener (C03) and hex nut (C04), 8 places. (See Fig. 07)
- 3.2.6. With all components now assembled, completely tighten any loose fasteners.

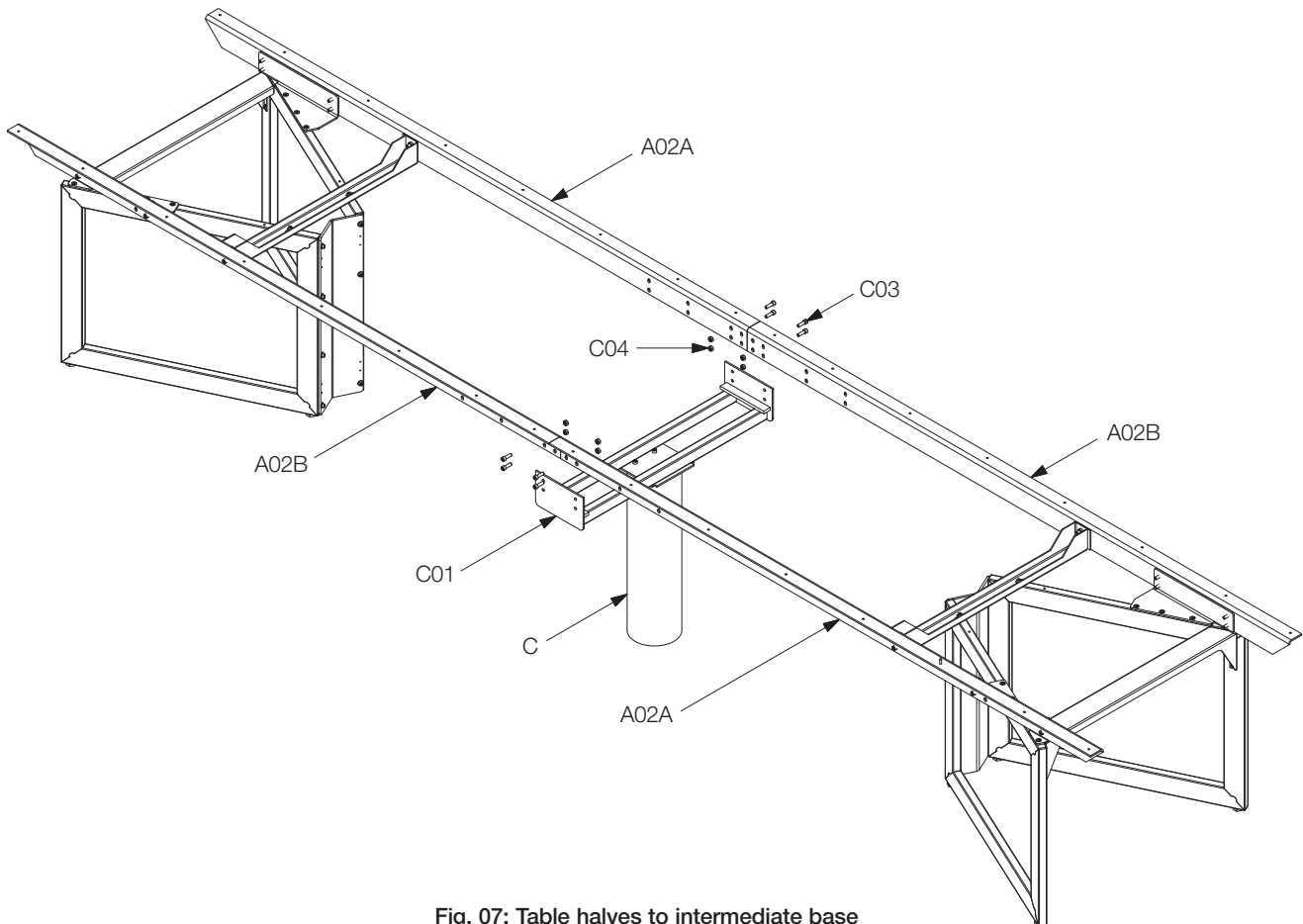


Fig. 07: Table halves to intermediate base

Highline Vector Conference Table

2. Table base

3. Table Rails (Cont.)

3.3. TABLE W\ 3-PIECE RAILS

3.3.1. Loosely assemble end rails (A03A and A03B) to end bases (B) via mounts (B02 and B03) using fastener (B06), 8 places.
(See Fig. 08)

3.3.2. If the bases you have are equipped with brace (B04) use fastener (B06) and hex nut (B07) to loosely secure it to the rails, 4 places each brace.
(See Fig. 08)

3.3.3. Layout the bridge rails (A03C) side-by-side, so that you end up with a pair and position one end base\end rail assembly at each end.
(See Fig. 09)

3.3.4. Loosely assemble the bridge rails (A03C) to the end base\end rail assemblies using fastener (A04) and nut (A05), 4 places each end.
(See Fig. 09)

3.3.5. With all components now assembled, completely tighten any loose fasteners.

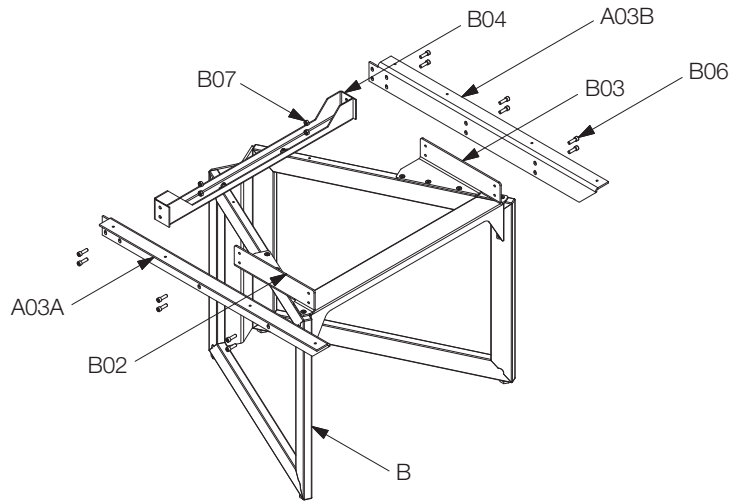


Fig. 08: End rails to end bases

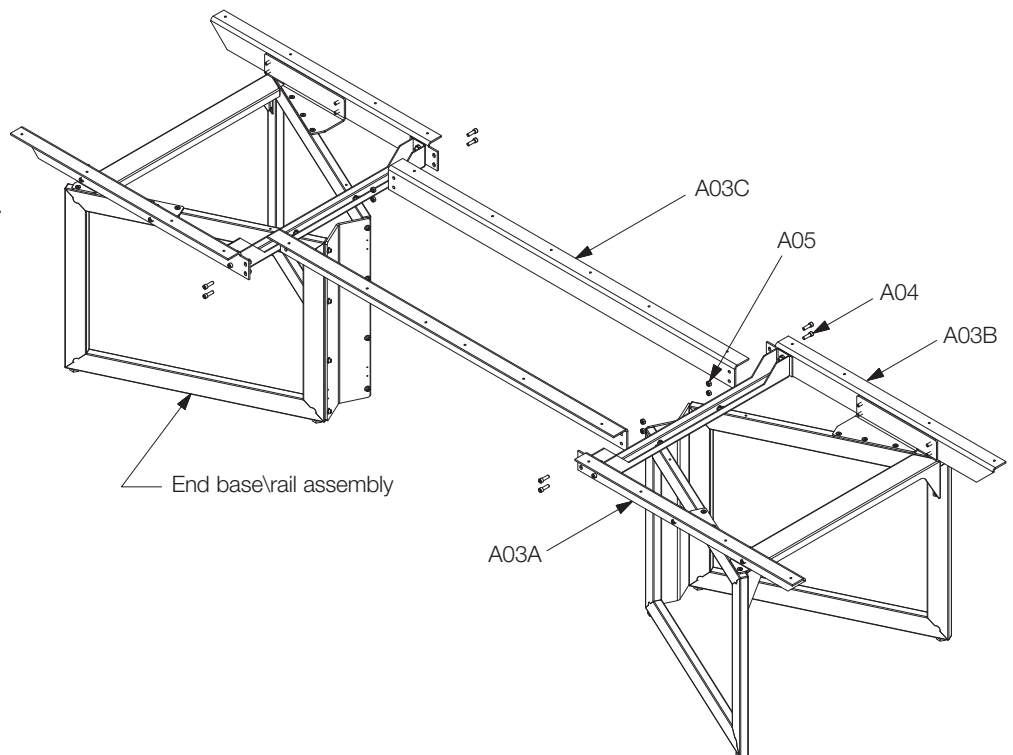


Fig. 09: Bridge rails to end bases

Highline Vector Conference Table

2. Table base

4. Subtop and Top

4.1. For subtop and top assembly, refer to Chapter 1.

5. Cable Trays (if equipped)

5.1. Using fastener (D02) attach cable tray (D01) up against the inside of the table rails.
(See Fig. 10)

Note:

Location is flexible but placement on table centreline is recommended.

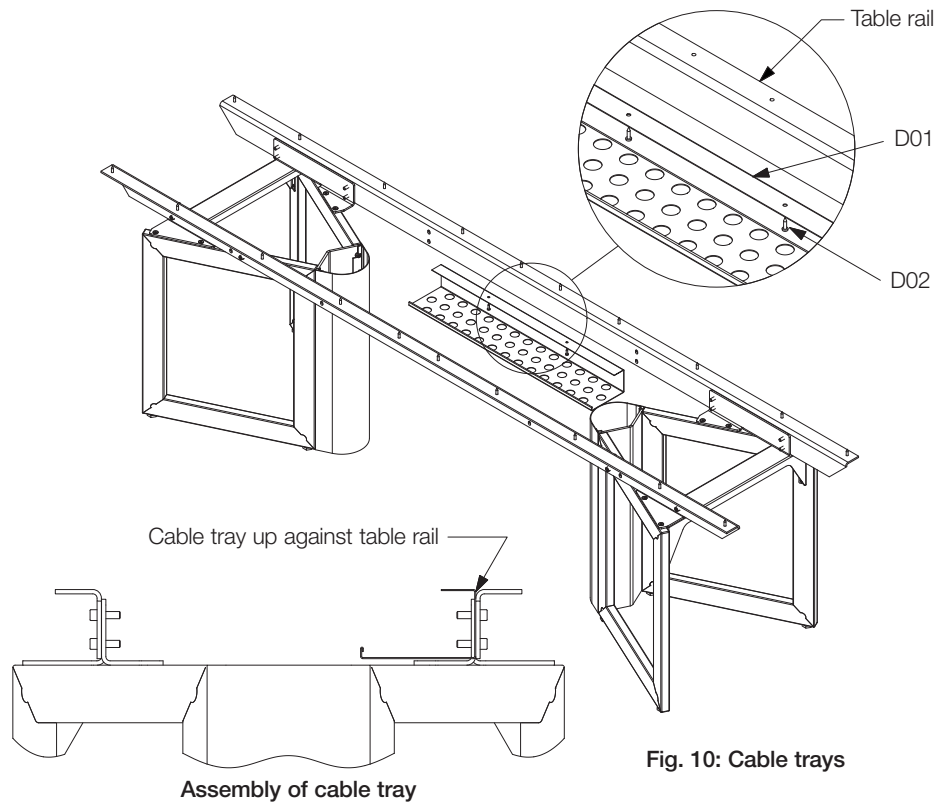


Fig. 10: Cable trays

6. Vertical Cable Management

6.1. Cable management from the floor to the table top is handled via the removable spine cover on end bases.
(See Fig. 11)

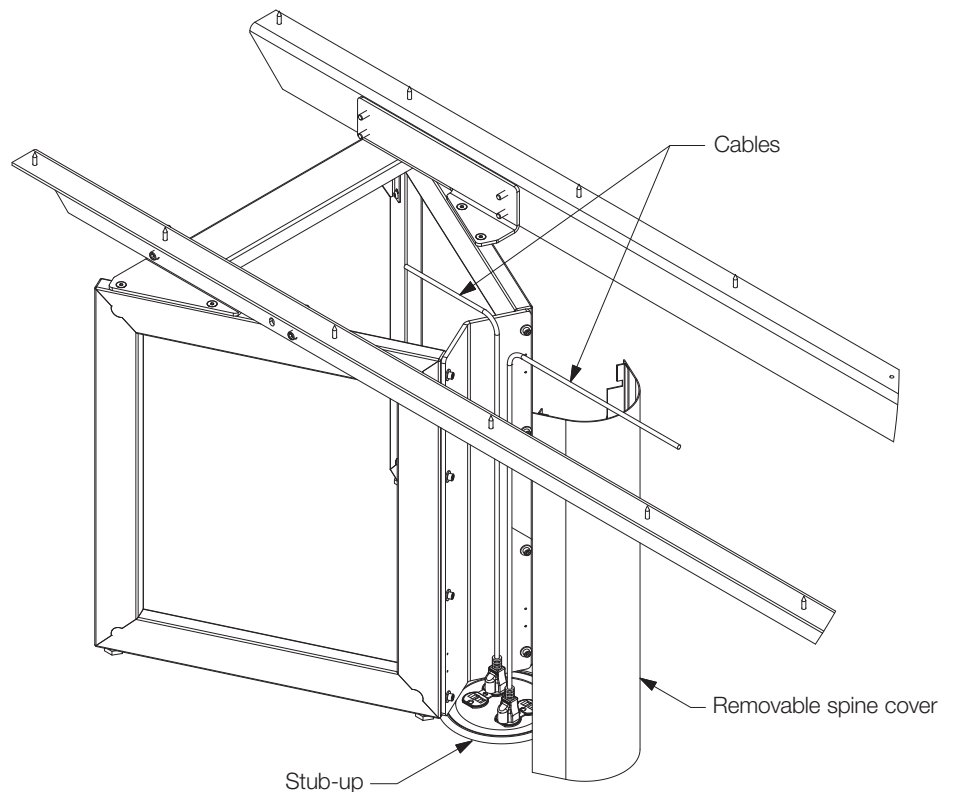


Fig. 11: Vertical cable management

Highline Vector Conference Table

2. Table base

7. Power and Connectivity Options

- 7.1. For double-hinged topmounts, see instruction 02D00005.
- 7.2. For undermounts, see instructions 00D00005.
- 7.3. For slideouts, see instruction 00D00003 (included w\ slideouts).

Note:

Power drawers shipped pre-assembled to subtop.